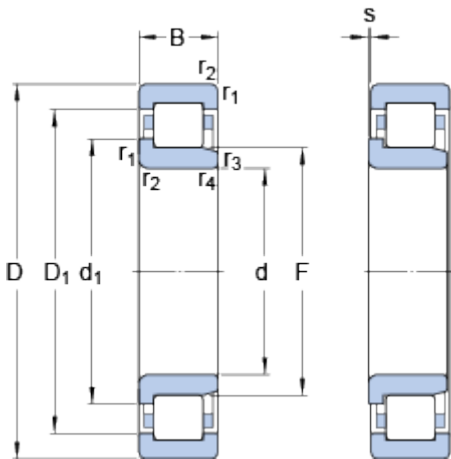


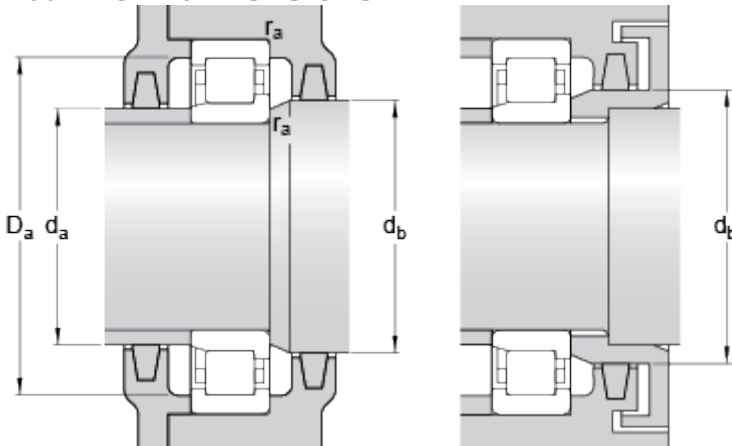
NJ 407

Dimensions



d	35	mm
D	100	mm
B	25	mm
d ₁	≈ 59	mm
D ₁	≈ 77.15	mm
F	53	mm
r _{1,2}	min. 1.5	mm
r _{3,4}	min. 1.5	mm
s	max. 1.7	mm

Abutment dimensions



d _a	min. 48	mm
d _a	max. 51	mm
d _b	min. 61	mm
D _a	max. 90	mm
r _a	max. 1.5	mm

Calculation data

Basic dynamic load rating	C	76.5	kN
Basic static load rating	C	69.5	kN
Fatigue load limit	P _u	9	kN
Reference speed		8000	r/min
Limiting speed		9500	r/min
Calculation factor	k _r	0.15	
Limiting value	e	0.2	
Axial load factor	Y	0.6	

Mass

Mass bearing	1.02	kg
--------------	------	----