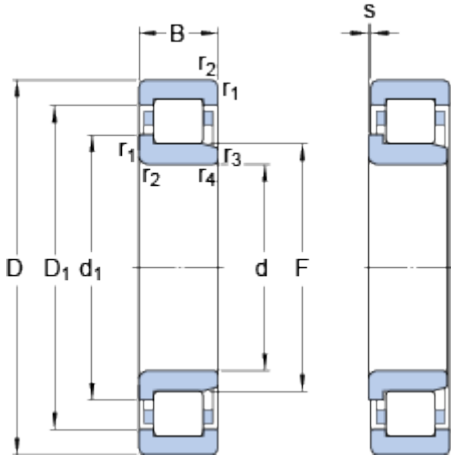


NJ 320 ECJ

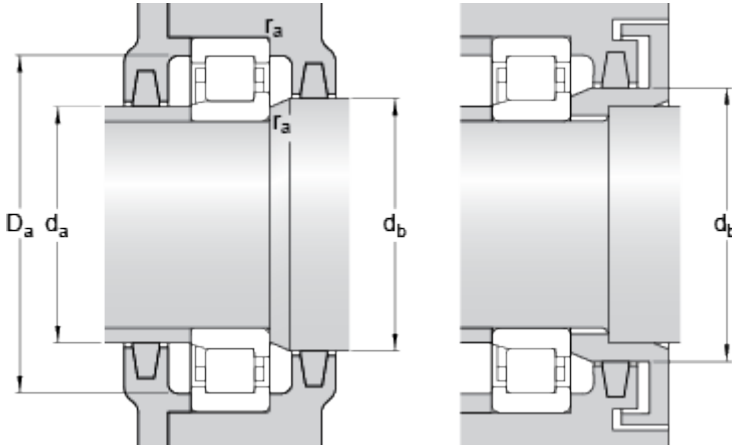
SKF Explorer

Dimensions



d	100	mm
D	215	mm
B	47	mm
d ₁	≈ 139	mm
D ₁	≈ 181.1	mm
F	127.5	mm
r _{1,2}	min. 3	mm
r _{3,4}	min. 3	mm
s	max. 2.9	mm

Abutment dimensions



d _a	min. 114	mm
d _a	max. 124	mm
d _b	min. 142	mm
D _a	max. 199.6	mm
r _a	max. 2.5	mm

Calculation data

Basic dynamic load rating	C	450	kN
Basic static load rating	C	440	kN
Fatigue load limit	P _u	51	kN
Reference speed		3200	r/min
Limiting speed		3800	r/min
Calculation factor	k _r	0.15	
Limiting value	e	0.2	
Axial load factor	Y	0.6	

Mass

Mass bearing	7.64	kg
--------------	------	----

Associated products

Angle ring	HJ 320 EC	
------------	-----------	--

