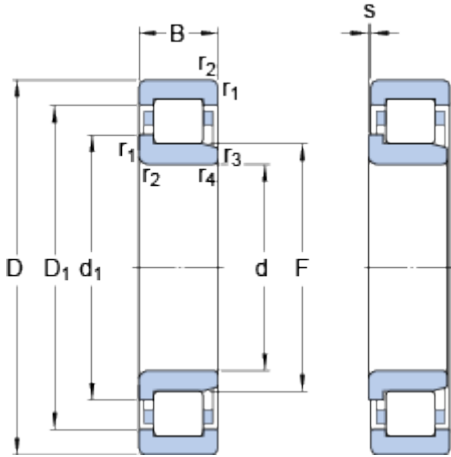


NJ 314 ECJ

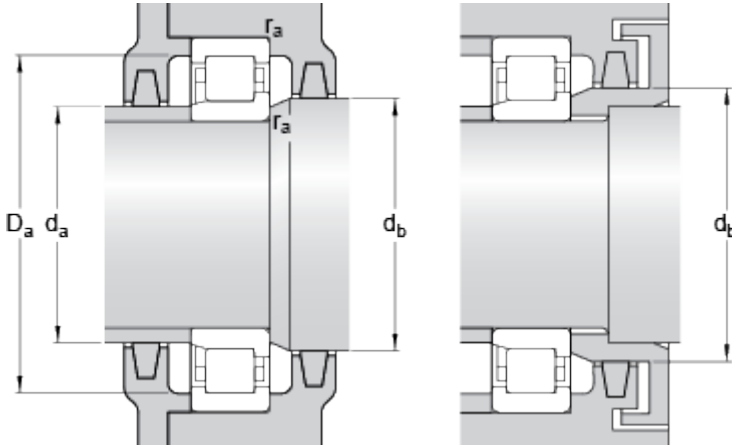
SKF Explorer

Dimensions



d	70	mm
D	150	mm
B	35	mm
d ₁	≈ 97.3	mm
D ₁	≈ 125.6	mm
F	89	mm
r _{1,2}	min. 2.1	mm
r _{3,4}	min. 2.1	mm
s	max. 1.8	mm

Abutment dimensions



d _a	min. 82	mm
d _a	max. 86	mm
d _b	min. 100	mm
D _a	max. 137.5	mm
r _a	max. 2	mm

Calculation data

Basic dynamic load rating	C	236	kN
Basic static load rating	C	228	kN
Fatigue load limit	P _u	29	kN
Reference speed		4800	r/min
Limiting speed		5600	r/min
Calculation factor	k _r	0.15	
Limiting value	e	0.2	
Axial load factor	Y	0.6	

Mass

Mass bearing	2.83	kg
--------------	------	----

Associated products

Angle ring	HJ 314 EC
------------	-----------

