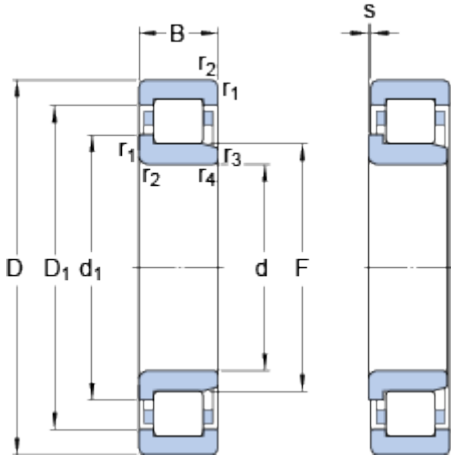


NJ 313 ECP

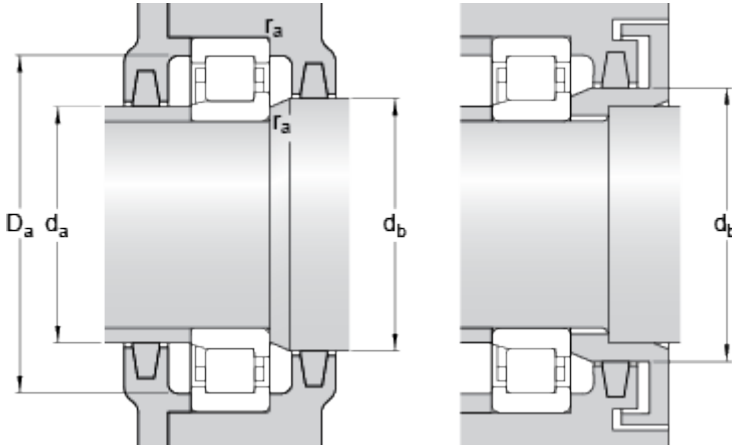
SKF Explorer

Dimensions



d	65	mm
D	140	mm
B	33	mm
d ₁	≈ 90.5	mm
D ₁	≈ 117.4	mm
F	82.5	mm
r _{1,2}	min. 2.1	mm
r _{3,4}	min. 2.1	mm
s	max. 2.2	mm

Abutment dimensions



d _a	min. 77	mm
d _a	max. 80	mm
d _b	min. 93	mm
D _a	max. 127.8	mm
r _a	max. 2	mm

Calculation data

Basic dynamic load rating	C	212	kN
Basic static load rating	C	196	kN
Fatigue load limit	P _u	25.5	kN
Reference speed		5300	r/min
Limiting speed		6000	r/min
Calculation factor	k _r	0.15	
Limiting value	e	0.2	
Axial load factor	Y	0.6	

Mass

Mass bearing	2.3	kg
--------------	-----	----

Associated products

Angle ring	HJ 313 EC
------------	-----------

