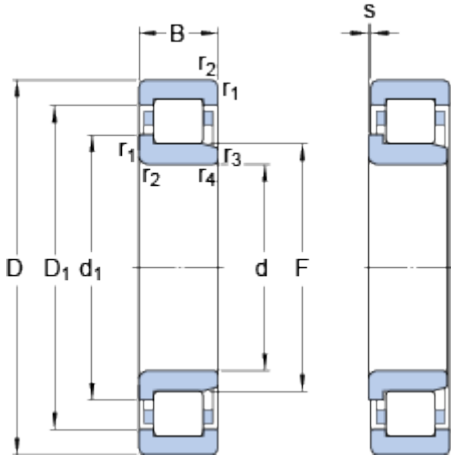


NJ 312 ECP

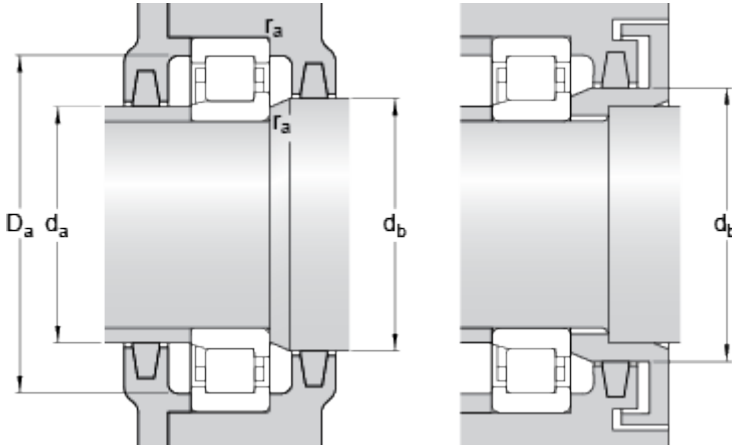
SKF Explorer

Dimensions



d	60	mm
D	130	mm
B	31	mm
d ₁	≈ 84.3	mm
D ₁	≈ 108.5	mm
F	77	mm
r _{1,2}	min. 2.1	mm
r _{3,4}	min. 2.1	mm
s	max. 2.1	mm

Abutment dimensions



d _a	min. 72	mm
d _a	max. 74	mm
d _b	min. 87	mm
D _a	max. 118.1	mm
r _a	max. 2	mm

Calculation data

Basic dynamic load rating	C	173	kN
Basic static load rating	C	160	kN
Fatigue load limit	P _u	21.2	kN
Reference speed		5600	r/min
Limiting speed		6700	r/min
Calculation factor	k _r	0.15	
Limiting value	e	0.2	
Axial load factor	Y	0.6	

Mass

Mass bearing	1.83	kg
--------------	------	----

Associated products

Angle ring	HJ 312 EC
------------	---------------------------

