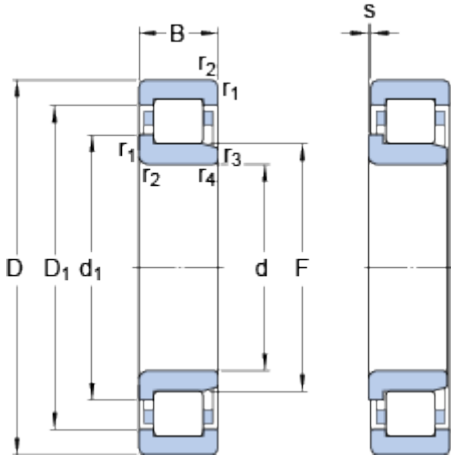


NJ 311 ECP

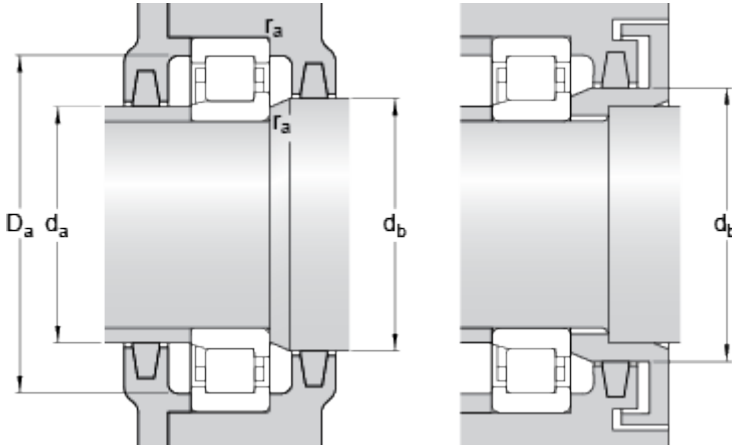
SKF Explorer

Dimensions



d	55	mm
D	120	mm
B	29	mm
d ₁	≈ 77.5	mm
D ₁	≈ 100.3	mm
F	70.5	mm
r _{1,2}	min. 2	mm
r _{3,4}	min. 2	mm
s	max. 2	mm

Abutment dimensions



d _a	min. 65	mm
d _a	max. 68	mm
d _b	min. 80	mm
D _a	max. 109.2	mm
r _a	max. 2	mm

Calculation data

Basic dynamic load rating	C	156	kN
Basic static load rating	C	143	kN
Fatigue load limit	P _u	18.6	kN
Reference speed		6000	r/min
Limiting speed		7000	r/min
Calculation factor	k _r	0.15	
Limiting value	e	0.2	
Axial load factor	Y	0.6	

Mass

Mass bearing	1.5	kg
--------------	-----	----

Associated products

Angle ring	HJ 311 EC
------------	-----------

