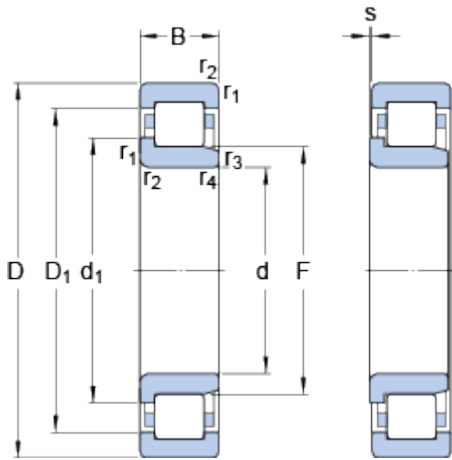


# NJ 310 ECP

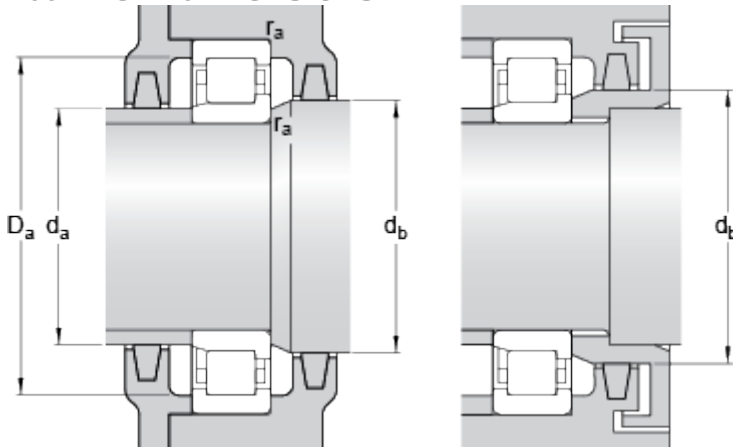
SKF Explorer

## Dimensions



d		50	mm
D		110	mm
B		27	mm
d <sub>1</sub>	≈	71.2	mm
D <sub>1</sub>	≈	91.4	mm
F		65	mm
r <sub>1,2</sub>	min.	2	mm
r <sub>3,4</sub>	min.	2	mm
s	max.	1.9	mm

## Abutment dimensions



d <sub>a</sub>	min.	60	mm
d <sub>a</sub>	max.	63	mm
d <sub>b</sub>	min.	73	mm
D <sub>a</sub>	max.	99.6	mm
r <sub>a</sub>	max.	2	mm

## Calculation data

Basic dynamic load rating	C	127	kN
Basic static load rating	C	112	kN
Fatigue load limit	P <sub>u</sub>	15	kN
Reference speed		6700	r/min
Limiting speed		8000	r/min
Calculation factor	k <sub>r</sub>	0.15	
Limiting value	e	0.2	
Axial load factor	Y	0.6	

## Mass

Mass bearing		1.17	kg
--------------	--	------	----

## Associated products

Angle ring		<a href="#">HJ 310 EC</a>	
------------	--	---------------------------	--

