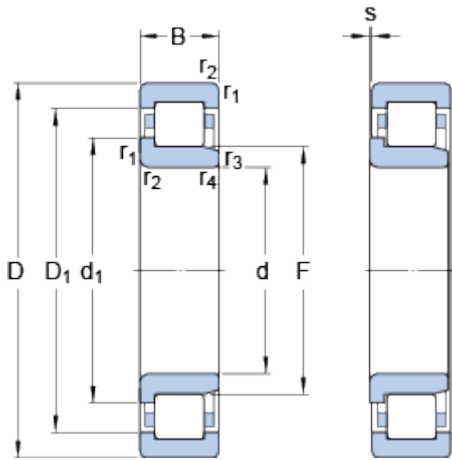


NJ 310 ECJ

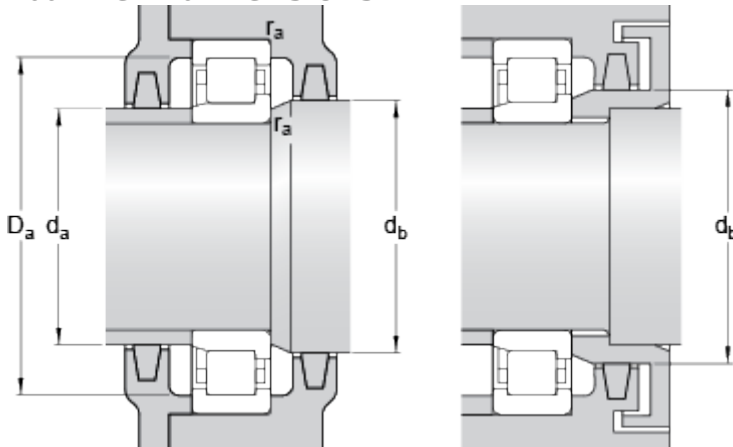
SKF Explorer

Dimensions



d	50	mm
D	110	mm
B	27	mm
d ₁	≈ 71.2	mm
D ₁	≈ 91.4	mm
F	65	mm
r _{1,2}	min. 2	mm
r _{3,4}	min. 2	mm
s	max. 1.9	mm

Abutment dimensions



d _a	min. 60	mm
d _a	max. 63	mm
d _b	min. 73	mm
D _a	max. 99.6	mm
r _a	max. 2	mm

Calculation data

Basic dynamic load rating	C	127	kN
Basic static load rating	C	112	kN
Fatigue load limit	P _u	15	kN
Reference speed		6700	r/min
Limiting speed		8000	r/min
Calculation factor	k _r	0.15	
Limiting value	e	0.2	
Axial load factor	Y	0.6	

Mass

Mass bearing	1.18	kg
--------------	------	----

Associated products

Angle ring	HJ 310 EC	
------------	---------------------------	--

