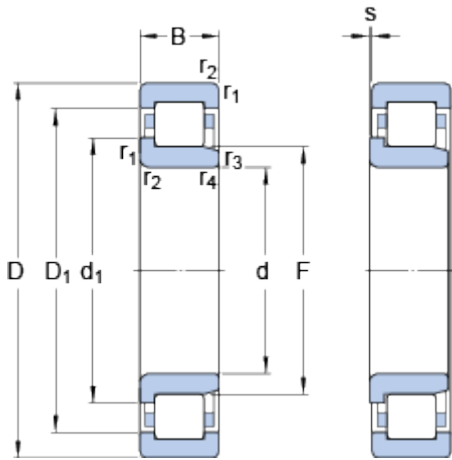


NJ 307 ECP

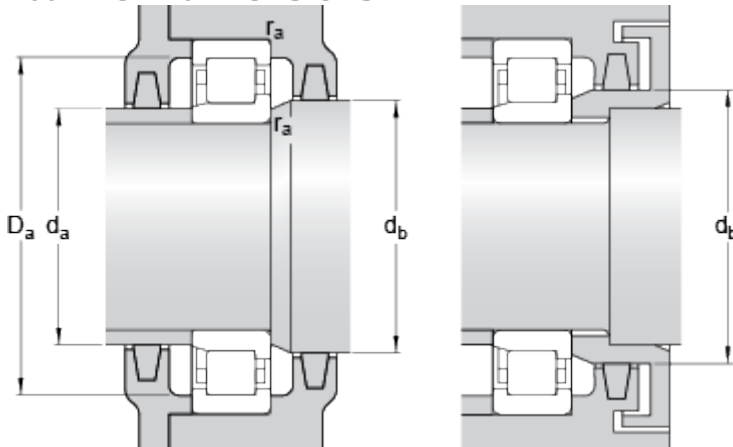
SKF Explorer

Dimensions



d	35	mm
D	80	mm
B	21	mm
d ₁	≈ 51	mm
D ₁	≈ 65.8	mm
F	46.2	mm
r _{1,2}	min. 1.5	mm
r _{3,4}	min. 1.1	mm
s	max. 1.2	mm

Abutment dimensions



d _a	min. 43	mm
d _a	max. 44	mm
d _b	min. 53	mm
D _a	max. 72.2	mm
r _a	max. 1.5	mm

Calculation data

Basic dynamic load rating	C	75	kN
Basic static load rating	C	63	kN
Fatigue load limit	P _u	8.15	kN
Reference speed		9500	r/min
Limiting speed		11000	r/min
Calculation factor	k _r	0.15	
Limiting value	e	0.2	
Axial load factor	Y	0.6	

Mass

Mass bearing	0.49	kg
--------------	------	----

Associated products

Angle ring	HJ 307 EC
------------	-----------

