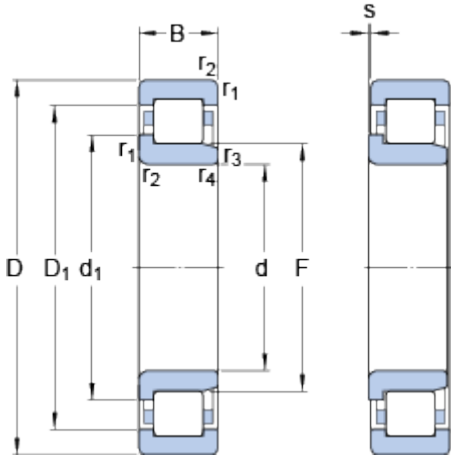


# NJ 304 ECP

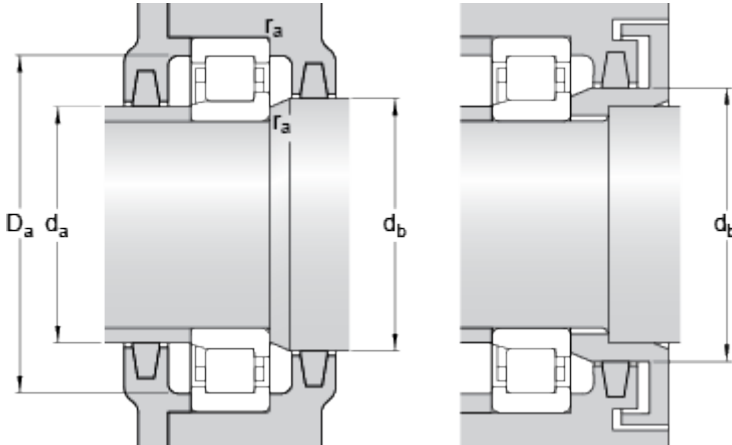
SKF Explorer

## Dimensions



|                  |          |    |
|------------------|----------|----|
| d                | 20       | mm |
| D                | 52       | mm |
| B                | 15       | mm |
| d <sub>1</sub>   | ≈ 31.2   | mm |
| D <sub>1</sub>   | ≈ 41.85  | mm |
| F                | 27.5     | mm |
| r <sub>1,2</sub> | min. 1.1 | mm |
| r <sub>3,4</sub> | min. 0.6 | mm |
| s                | max. 0.9 | mm |

## Abutment dimensions



|                |           |    |
|----------------|-----------|----|
| d <sub>a</sub> | min. 26.1 | mm |
| d <sub>a</sub> | max. 26.2 | mm |
| d <sub>b</sub> | min. 33   | mm |
| D <sub>a</sub> | max. 45.4 | mm |
| r <sub>a</sub> | max. 1    | mm |

## Calculation data

|                           |                |       |       |
|---------------------------|----------------|-------|-------|
| Basic dynamic load rating | C              | 35.5  | kN    |
| Basic static load rating  | C              | 26    | kN    |
| Fatigue load limit        | P <sub>u</sub> | 3.25  | kN    |
| Reference speed           |                | 15000 | r/min |
| Limiting speed            |                | 18000 | r/min |
| Calculation factor        | k <sub>r</sub> | 0.15  |       |
| Limiting value            | e              | 0.2   |       |
| Axial load factor         | Y              | 0.6   |       |

## Mass

|              |      |    |
|--------------|------|----|
| Mass bearing | 0.15 | kg |
|--------------|------|----|

## Associated products

|            |           |
|------------|-----------|
| Angle ring | HJ 304 EC |
|------------|-----------|

