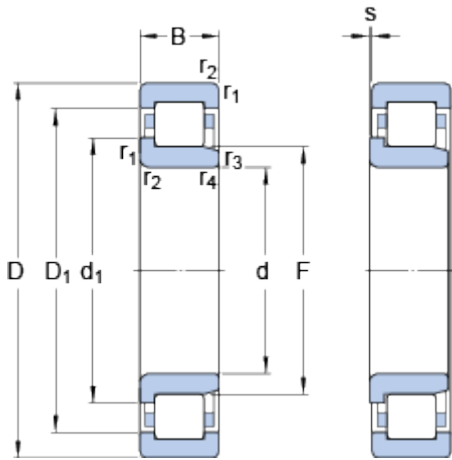


NJ 303 ECP

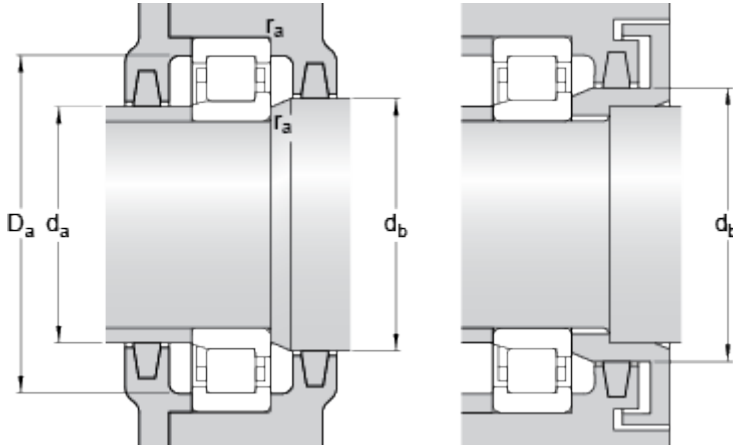
SKF Explorer

Dimensions



| | | | |
|------------------|------|-------|----|
| d | | 17 | mm |
| D | | 47 | mm |
| B | | 14 | mm |
| d ₁ | ≈ | 27.7 | mm |
| D ₁ | ≈ | 36.75 | mm |
| F | | 24.2 | mm |
| r _{1,2} | min. | 1 | mm |
| r _{3,4} | min. | 0.6 | mm |
| s | max. | 1 | mm |

Abutment dimensions



| | | | |
|----------------|------|------|----|
| d _a | min. | 22.1 | mm |
| d _a | max. | 23.1 | mm |
| d _b | min. | 29 | mm |
| D _a | max. | 41.7 | mm |
| r _a | max. | 1 | mm |

Calculation data

| | | | |
|---------------------------|----------------|-------|-------|
| Basic dynamic load rating | C | 28.5 | kN |
| Basic static load rating | C | 20.4 | kN |
| Fatigue load limit | P _u | 2.55 | kN |
| Reference speed | | 17000 | r/min |
| Limiting speed | | 20000 | r/min |
| Calculation factor | k _r | 0.15 | |
| Limiting value | e | 0.2 | |
| Axial load factor | Y | 0.6 | |

Mass

| | | | |
|--------------|--|------|----|
| Mass bearing | | 0.12 | kg |
|--------------|--|------|----|