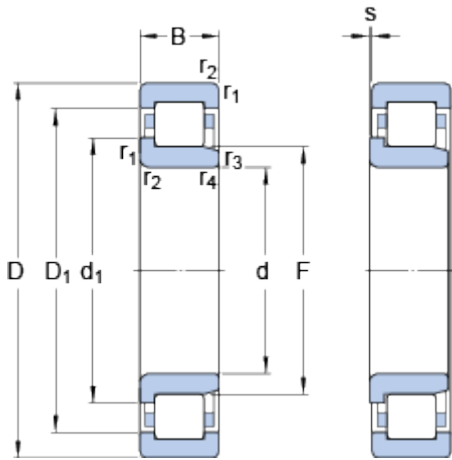


NJ 2315 ECP

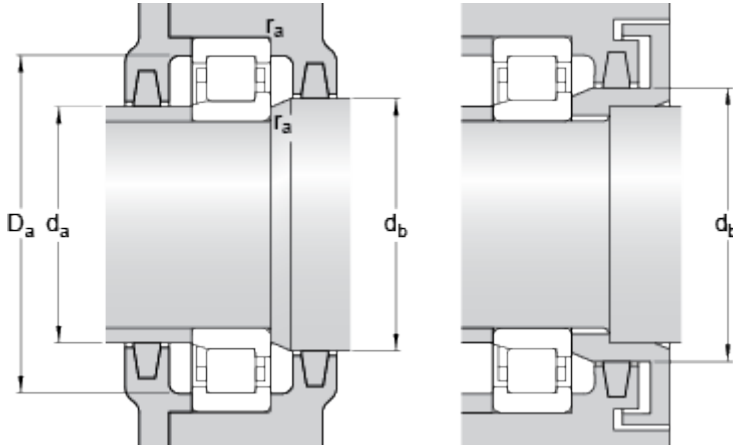
SKF Explorer

Dimensions



d	75	mm
D	160	mm
B	55	mm
d ₁	≈ 104	mm
D ₁	≈ 135	mm
F	95	mm
r _{1,2}	min. 2.1	mm
r _{3,4}	min. 2.1	mm
s	max. 4.8	mm

Abutment dimensions



d _a	min. 87	mm
d _a	max. 92	mm
d _b	min. 107	mm
D _a	max. 148	mm
r _a	max. 2	mm

Calculation data

Basic dynamic load rating	C	380	kN
Basic static load rating	C	400	kN
Fatigue load limit	P _u	50	kN
Reference speed		4500	r/min
Limiting speed		5300	r/min
Calculation factor	k _r	0.25	
Limiting value	e	0.3	
Axial load factor	Y	0.4	

Mass

Mass bearing	5.02	kg
--------------	------	----

Associated products

Angle ring	HJ 2315 EC
------------	------------

