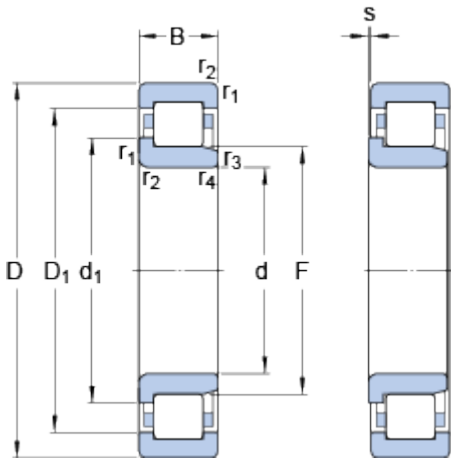


NJ 2313 ECP

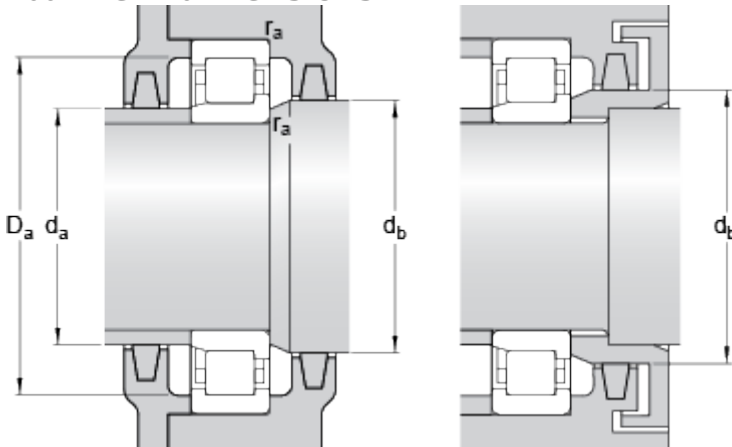
SKF Explorer

Dimensions



| | | |
|------------------|----------|----|
| d | 65 | mm |
| D | 140 | mm |
| B | 48 | mm |
| d ₁ | ≈ 90.5 | mm |
| D ₁ | ≈ 117.4 | mm |
| F | 82.5 | mm |
| r _{1,2} | min. 2.1 | mm |
| r _{3,4} | min. 2.1 | mm |
| s | max. 4.7 | mm |

Abutment dimensions



| | | |
|----------------|------------|----|
| d _a | min. 77 | mm |
| d _a | max. 80 | mm |
| d _b | min. 93 | mm |
| D _a | max. 127.8 | mm |
| r _a | max. 2 | mm |

Calculation data

| | | | |
|---------------------------|----------------|------|-------|
| Basic dynamic load rating | C | 285 | kN |
| Basic static load rating | C | 290 | kN |
| Fatigue load limit | P _u | 38 | kN |
| Reference speed | | 5300 | r/min |
| Limiting speed | | 6000 | r/min |
| Calculation factor | k _r | 0.25 | |
| Limiting value | e | 0.3 | |
| Axial load factor | Y | 0.4 | |

Mass

| | | |
|--------------|------|----|
| Mass bearing | 3.36 | kg |
|--------------|------|----|

Associated products

Angle ring [HJ 2313 EC](#)

