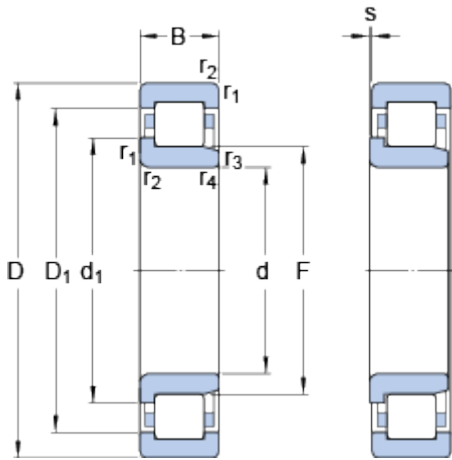


# NJ 2312 ECP

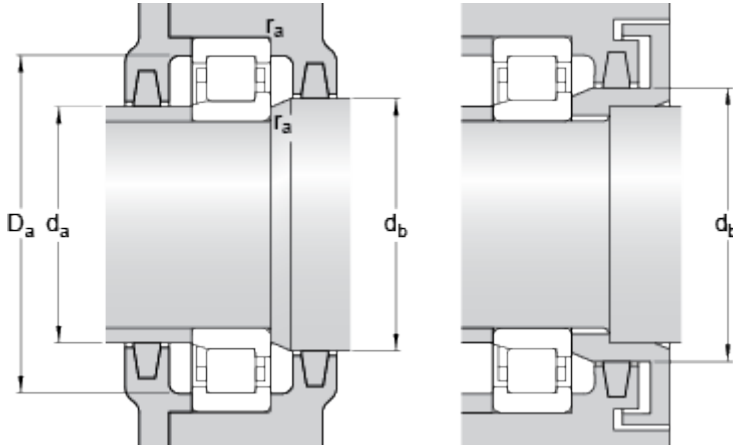
SKF Explorer

## Dimensions



d	60	mm
D	130	mm
B	46	mm
d <sub>1</sub>	≈ 84.3	mm
D <sub>1</sub>	≈ 108.5	mm
F	77	mm
r <sub>1,2</sub>	min. 2.1	mm
r <sub>3,4</sub>	min. 2.1	mm
s	max. 3.6	mm

## Abutment dimensions



d <sub>a</sub>	min. 72	mm
d <sub>a</sub>	max. 74	mm
d <sub>b</sub>	min. 87	mm
D <sub>a</sub>	max. 118.1	mm
r <sub>a</sub>	max. 2	mm

## Calculation data

Basic dynamic load rating	C	260	kN
Basic static load rating	C	265	kN
Fatigue load limit	P <sub>u</sub>	34.5	kN
Reference speed		5600	r/min
Limiting speed		6700	r/min
Calculation factor	k <sub>r</sub>	0.25	
Limiting value	e	0.3	
Axial load factor	Y	0.4	

## Mass

Mass bearing	2.81	kg
--------------	------	----

## Associated products

Angle ring	HJ 2312 EC
------------	------------

