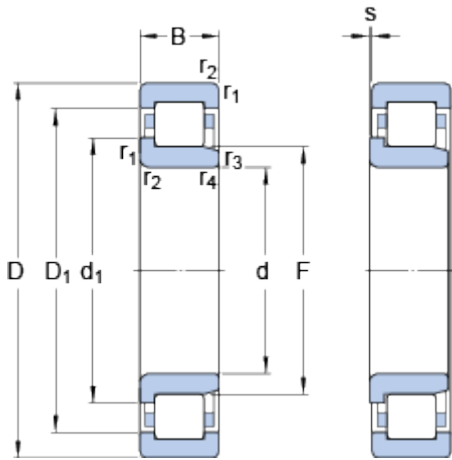


# NJ 2310 ECP

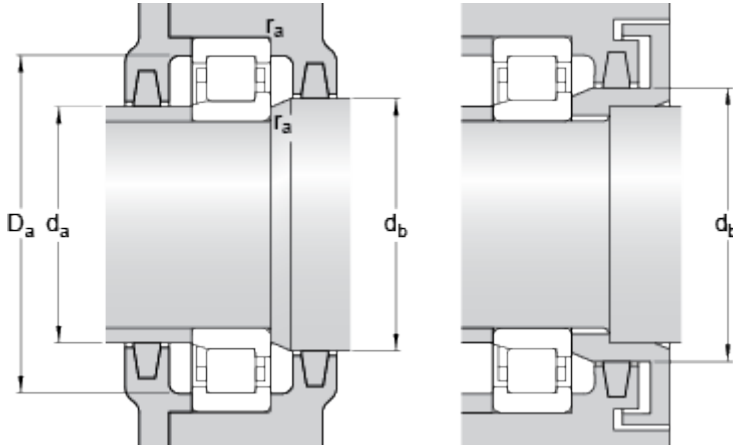
SKF Explorer

## Dimensions



d	50	mm
D	110	mm
B	40	mm
d <sub>1</sub>	≈ 71.2	mm
D <sub>1</sub>	≈ 91.4	mm
F	65	mm
r <sub>1,2</sub>	min. 2	mm
r <sub>3,4</sub>	min. 2	mm
s	max. 3.4	mm

## Abutment dimensions



d <sub>a</sub>	min. 60	mm
d <sub>a</sub>	max. 63	mm
d <sub>b</sub>	min. 73	mm
D <sub>a</sub>	max. 99.6	mm
r <sub>a</sub>	max. 2	mm

## Calculation data

Basic dynamic load rating	C	186	kN
Basic static load rating	C	186	kN
Fatigue load limit	P <sub>u</sub>	24.5	kN
Reference speed		6700	r/min
Limiting speed		8000	r/min
Calculation factor	k <sub>r</sub>	0.25	
Limiting value	e	0.3	
Axial load factor	Y	0.4	

## Mass

Mass bearing	1.77	kg
--------------	------	----