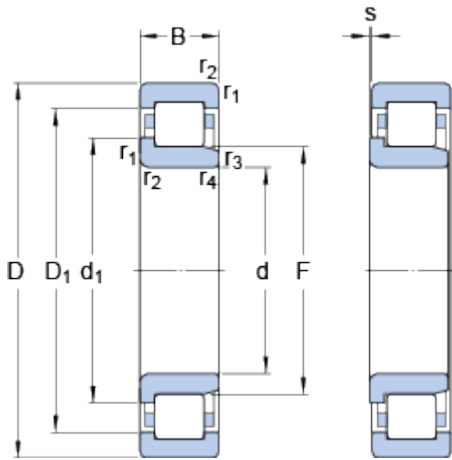


# NJ 2309 ECP

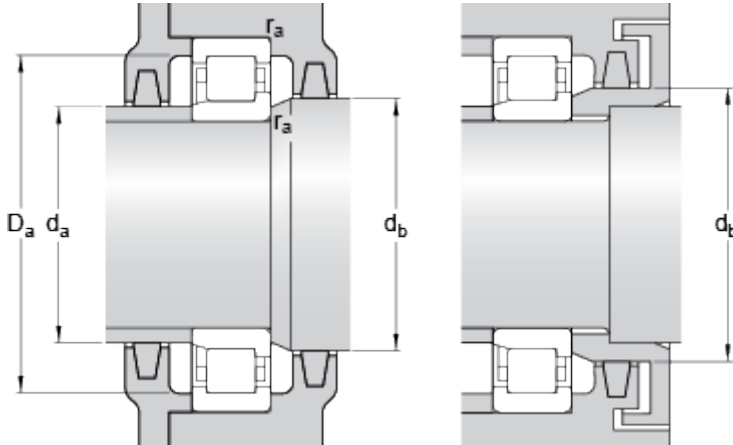
SKF Explorer

## Dimensions



d		45	mm
D		100	mm
B		36	mm
d <sub>1</sub>	≈	64.4	mm
D <sub>1</sub>	≈	83.2	mm
F		58.5	mm
r <sub>1,2</sub>	min.	1.5	mm
r <sub>3,4</sub>	min.	1.5	mm
s	max.	3.2	mm

## Abutment dimensions



d <sub>a</sub>	min.	54	mm
d <sub>a</sub>	max.	56	mm
d <sub>b</sub>	min.	67	mm
D <sub>a</sub>	max.	91.4	mm
r <sub>a</sub>	max.	1.5	mm

## Calculation data

Basic dynamic load rating	C	160	kN
Basic static load rating	C	153	kN
Fatigue load limit	P <sub>u</sub>	20	kN
Reference speed		7500	r/min
Limiting speed		8500	r/min
Calculation factor	k <sub>r</sub>	0.25	
Limiting value	e	0.3	
Axial load factor	Y	0.4	

## Mass

Mass bearing		1.33	kg
--------------	--	------	----