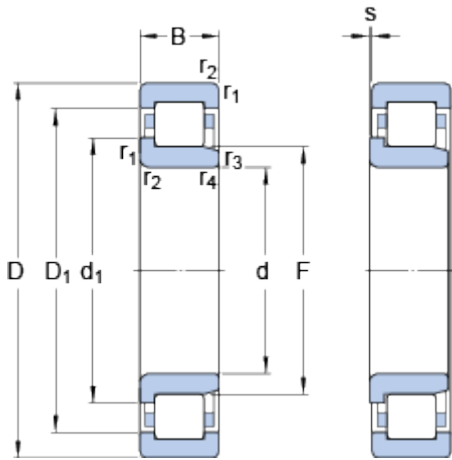


# NJ 2307 ECP

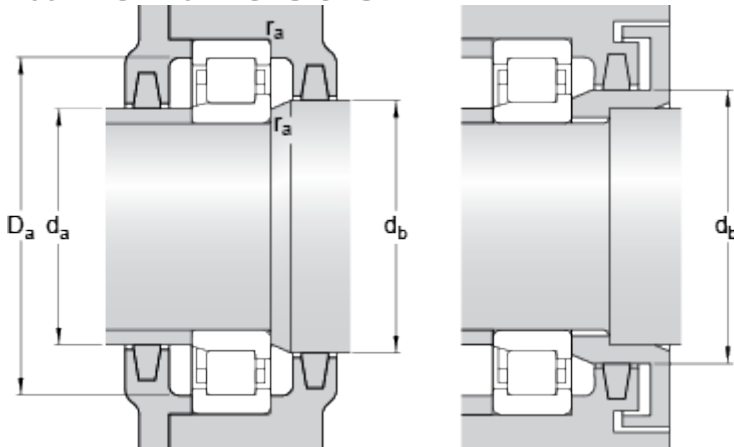
SKF Explorer

## Dimensions



|                  |          |    |
|------------------|----------|----|
| d                | 35       | mm |
| D                | 80       | mm |
| B                | 31       | mm |
| d <sub>1</sub>   | ≈ 51     | mm |
| D <sub>1</sub>   | ≈ 65.8   | mm |
| F                | 46.2     | mm |
| r <sub>1,2</sub> | min. 1.5 | mm |
| r <sub>3,4</sub> | min. 1.1 | mm |
| s                | max. 2.7 | mm |

## Abutment dimensions



|                |           |    |
|----------------|-----------|----|
| d <sub>a</sub> | min. 43   | mm |
| d <sub>a</sub> | max. 44   | mm |
| d <sub>b</sub> | min. 53   | mm |
| D <sub>a</sub> | max. 72.2 | mm |
| r <sub>a</sub> | max. 1.5  | mm |

## Calculation data

|                           |                |       |       |
|---------------------------|----------------|-------|-------|
| Basic dynamic load rating | C              | 106   | kN    |
| Basic static load rating  | C              | 98    | kN    |
| Fatigue load limit        | P <sub>u</sub> | 12.7  | kN    |
| Reference speed           |                | 9500  | r/min |
| Limiting speed            |                | 11000 | r/min |
| Calculation factor        | k <sub>r</sub> | 0.25  |       |
| Limiting value            | e              | 0.3   |       |
| Axial load factor         | Y              | 0.4   |       |

## Mass

|              |      |    |
|--------------|------|----|
| Mass bearing | 0.73 | kg |
|--------------|------|----|