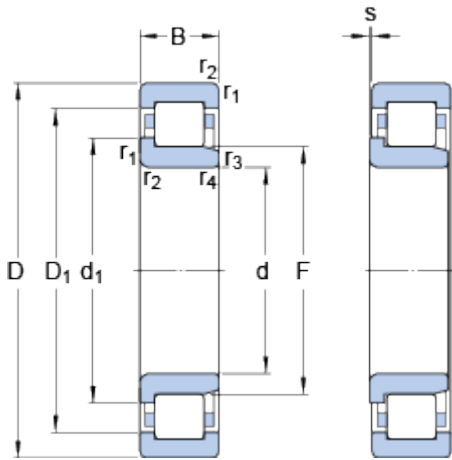


NJ 2210 ECP

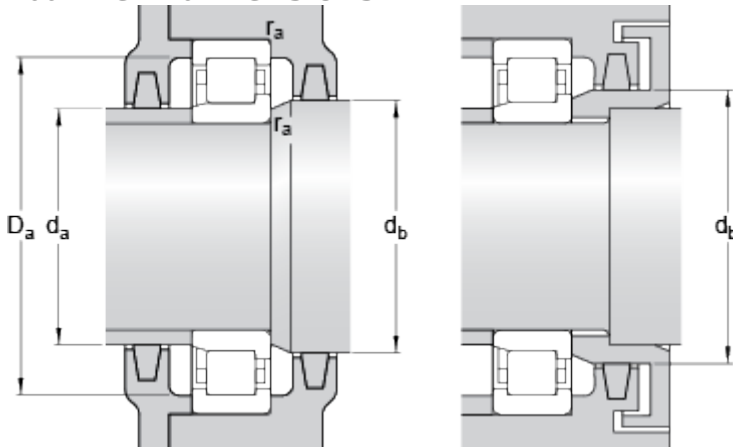
SKF Explorer

Dimensions



d	50	mm
D	90	mm
B	23	mm
d ₁	≈ 64	mm
D ₁	≈ 77.4	mm
F	59.5	mm
r _{1,2}	min. 1.1	mm
r _{3,4}	min. 1.1	mm
s	max. 1.5	mm

Abutment dimensions



d _a	min. 57	mm
d _a	max. 57.5	mm
d _b	min. 66	mm
D _a	max. 82.4	mm
r _a	max. 1	mm

Calculation data

Basic dynamic load rating	C	90	kN
Basic static load rating	C	88	kN
Fatigue load limit	P _u	11.4	kN
Reference speed		8500	r/min
Limiting speed		9000	r/min
Calculation factor	k _r	0.2	
Limiting value	e	0.3	
Axial load factor	Y	0.4	

Mass

Mass bearing	0.57	kg
--------------	------	----