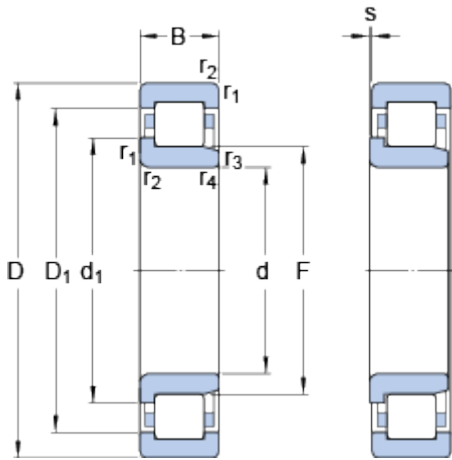


# NJ 2209 ECP

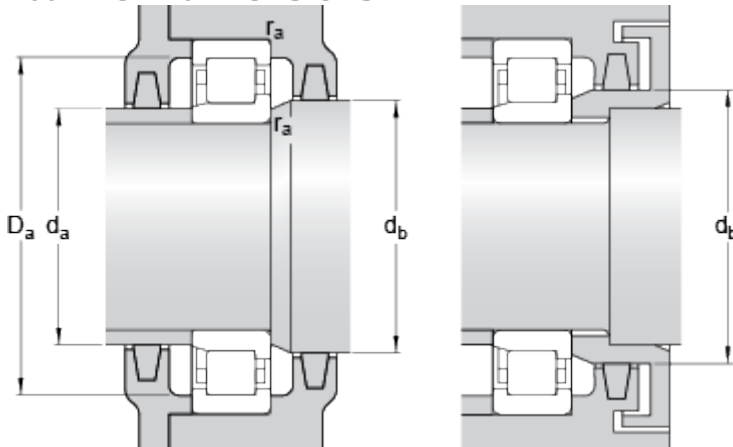
SKF Explorer

## Dimensions



d		45	mm
D		85	mm
B		23	mm
d <sub>1</sub>	≈	59	mm
D <sub>1</sub>	≈	72.4	mm
F		54.5	mm
r <sub>1,2</sub>	min.	1.1	mm
r <sub>3,4</sub>	min.	1.1	mm
s	max.	1.7	mm

## Abutment dimensions



d <sub>a</sub>	min.	52	mm
d <sub>a</sub>	max.	53	mm
d <sub>b</sub>	min.	61	mm
D <sub>a</sub>	max.	77.6	mm
r <sub>a</sub>	max.	1	mm

## Calculation data

Basic dynamic load rating	C	85	kN
Basic static load rating	C	81.5	kN
Fatigue load limit	P <sub>u</sub>	10.6	kN
Reference speed		9000	r/min
Limiting speed		9500	r/min
Calculation factor	k <sub>r</sub>	0.2	
Limiting value	e	0.3	
Axial load factor	Y	0.4	

## Mass

Mass bearing		0.54	kg
--------------	--	------	----