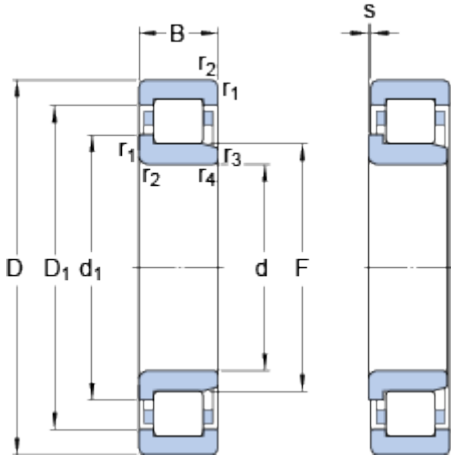


NJ 2208 ECP

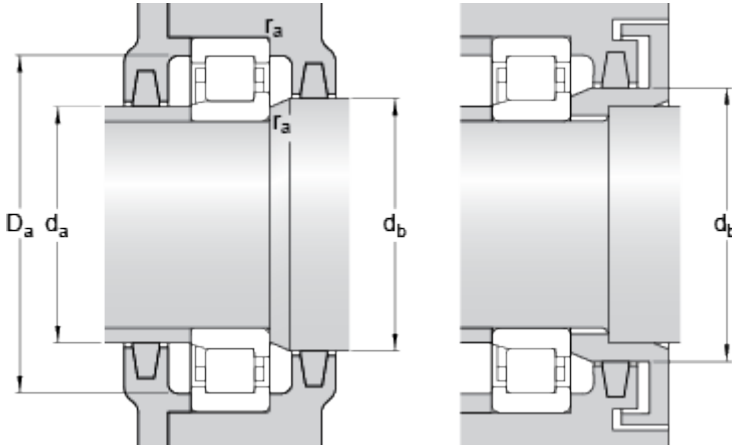
SKF Explorer

Dimensions



d	40	mm
D	80	mm
B	23	mm
d ₁	≈ 54	mm
D ₁	≈ 67.4	mm
F	49.5	mm
r _{1,2}	min. 1.1	mm
r _{3,4}	min. 1.1	mm
s	max. 1.9	mm

Abutment dimensions



d _a	min. 47	mm
d _a	max. 48	mm
d _b	min. 56	mm
D _a	max. 72.8	mm
r _a	max. 1	mm

Calculation data

Basic dynamic load rating	C	81.5	kN
Basic static load rating	C	75	kN
Fatigue load limit	P _u	9.65	kN
Reference speed		9500	r/min
Limiting speed		11000	r/min
Calculation factor	k _r	0.2	
Limiting value	e	0.3	
Axial load factor	Y	0.4	

Mass

Mass bearing	0.5	kg
--------------	-----	----

Associated products

Angle ring	HJ 2208 EC
------------	------------

