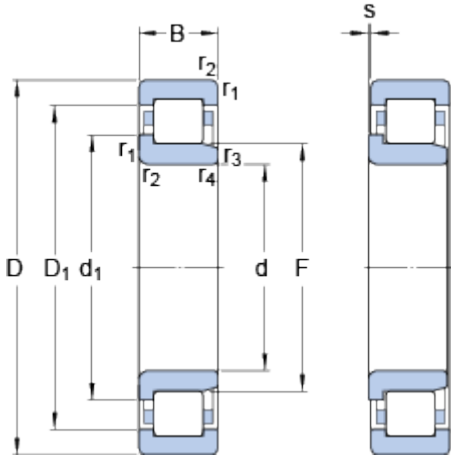


# NJ 2207 ECP

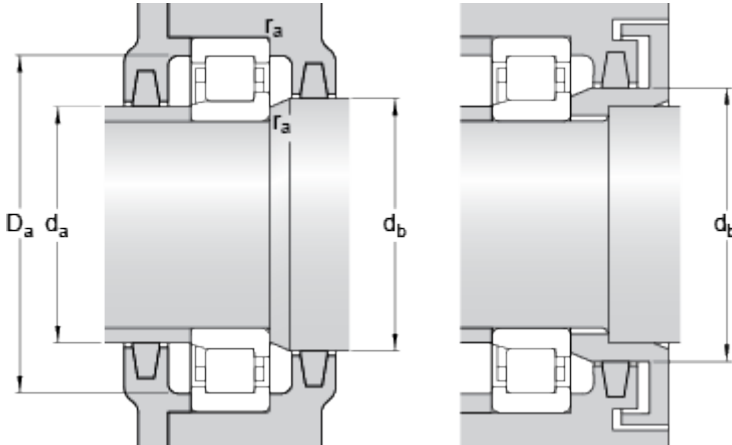
SKF Explorer

## Dimensions



d	35	mm
D	72	mm
B	23	mm
d <sub>1</sub>	≈ 48.1	mm
D <sub>1</sub>	≈ 60.2	mm
F	44	mm
r <sub>1,2</sub>	min. 1.1	mm
r <sub>3,4</sub>	min. 0.6	mm
s	max. 2.8	mm

## Abutment dimensions



d <sub>a</sub>	min. 41.8	mm
d <sub>a</sub>	max. 42.2	mm
d <sub>b</sub>	min. 50	mm
D <sub>a</sub>	max. 65.1	mm
r <sub>a</sub>	max. 1	mm

## Calculation data

Basic dynamic load rating	C	69.5	kN
Basic static load rating	C	63	kN
Fatigue load limit	P <sub>u</sub>	8.15	kN
Reference speed		11000	r/min
Limiting speed		12000	r/min
Calculation factor	k <sub>r</sub>	0.2	
Limiting value	e	0.3	
Axial load factor	Y	0.4	

## Mass

Mass bearing	0.41	kg
--------------	------	----