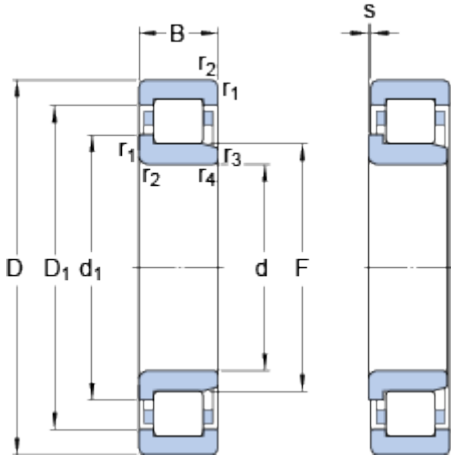


# NJ 2206 ECP

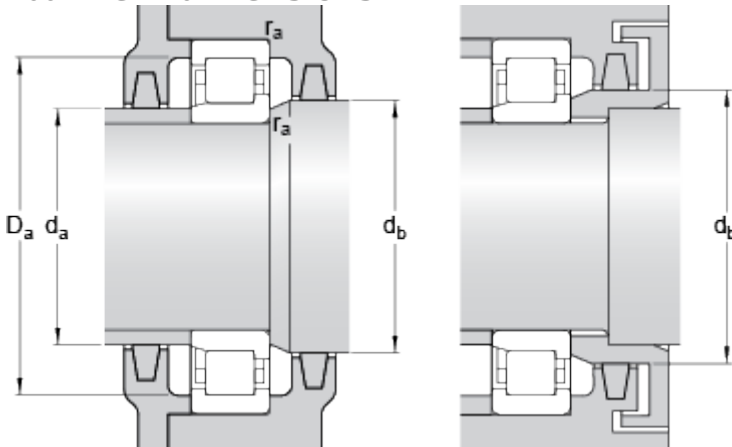
SKF Explorer

## Dimensions



d	30	mm
D	62	mm
B	20	mm
d <sub>1</sub>	≈ 41.2	mm
D <sub>1</sub>	≈ 51.95	mm
F	37.5	mm
r <sub>1,2</sub>	min. 1	mm
r <sub>3,4</sub>	min. 0.6	mm
s	max. 1.8	mm

## Abutment dimensions



d <sub>a</sub>	min. 35.3	mm
d <sub>a</sub>	max. 36.1	mm
d <sub>b</sub>	min. 43	mm
D <sub>a</sub>	max. 55.9	mm
r <sub>a</sub>	max. 1	mm

## Calculation data

Basic dynamic load rating	C	55	kN
Basic static load rating	C	49	kN
Fatigue load limit	P <sub>u</sub>	6.1	kN
Reference speed		13000	r/min
Limiting speed		14000	r/min
Calculation factor	k <sub>r</sub>	0.2	
Limiting value	e	0.3	
Axial load factor	Y	0.4	

## Mass

Mass bearing	0.26	kg
--------------	------	----