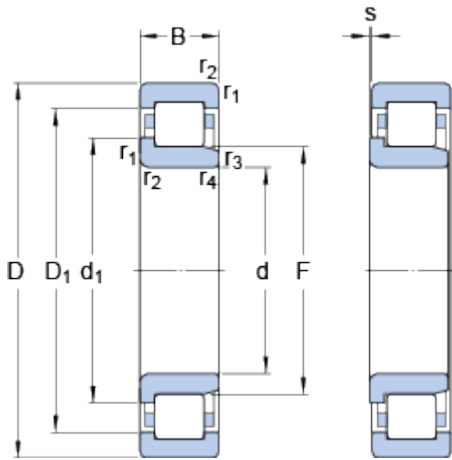


# NJ 216 ECP

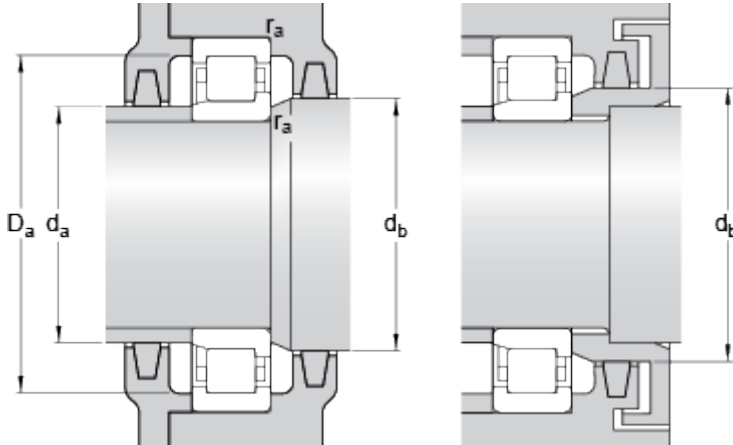
SKF Explorer

## Dimensions



d	80	mm
D	140	mm
B	26	mm
d <sub>1</sub>	≈ 101	mm
D <sub>1</sub>	≈ 121.7	mm
F	95.3	mm
r <sub>1,2</sub>	min. 2	mm
r <sub>3,4</sub>	min. 2	mm
s	max. 1.4	mm

## Abutment dimensions



d <sub>a</sub>	min. 90	mm
d <sub>a</sub>	max. 93	mm
d <sub>b</sub>	min. 104	mm
D <sub>a</sub>	max. 129.8	mm
r <sub>a</sub>	max. 2	mm

## Calculation data

Basic dynamic load rating	C	160	kN
Basic static load rating	C	166	kN
Fatigue load limit	P <sub>u</sub>	21.2	kN
Reference speed		5300	r/min
Limiting speed		5600	r/min
Calculation factor	k <sub>r</sub>	0.15	
Limiting value	e	0.2	
Axial load factor	Y	0.6	

## Mass

Mass bearing	1.57	kg
--------------	------	----

## Associated products

Angle ring	HJ 216 EC
------------	-----------

