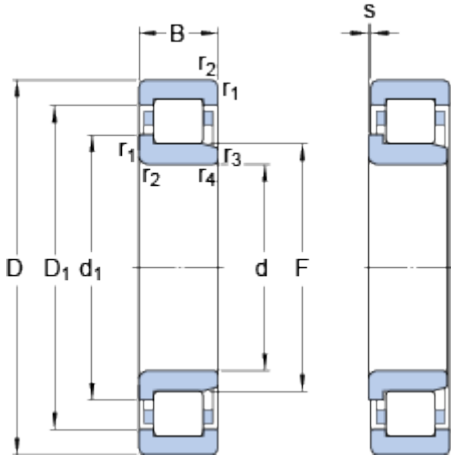


NJ 215 ECP

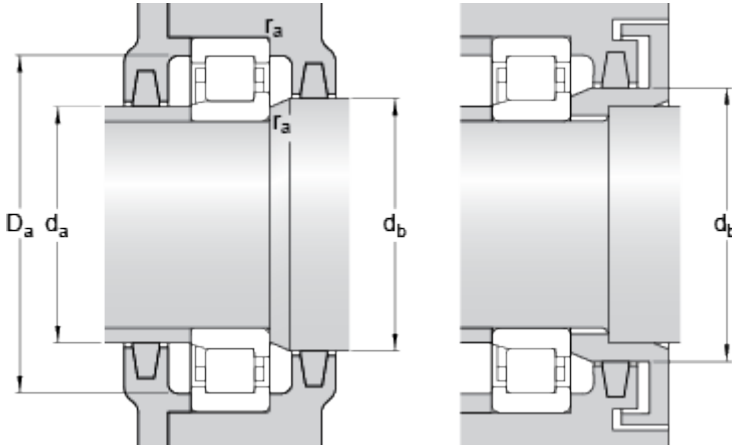
SKF Explorer

Dimensions



d	75	mm
D	130	mm
B	25	mm
d ₁	≈ 94.3	mm
D ₁	≈ 113.3	mm
F	88.5	mm
r _{1,2}	min. 1.5	mm
r _{3,4}	min. 1.5	mm
s	max. 1.2	mm

Abutment dimensions



d _a	min. 84	mm
d _a	max. 86	mm
d _b	min. 97	mm
D _a	max. 121.5	mm
r _a	max. 1.5	mm

Calculation data

Basic dynamic load rating	C	150	kN
Basic static load rating	C	156	kN
Fatigue load limit	P _u	20.4	kN
Reference speed		5600	r/min
Limiting speed		6000	r/min
Calculation factor	k _r	0.15	
Limiting value	e	0.2	
Axial load factor	Y	0.6	

Mass

Mass bearing	1.29	kg
--------------	------	----

Associated products

Angle ring	HJ 215 EC
------------	-----------

