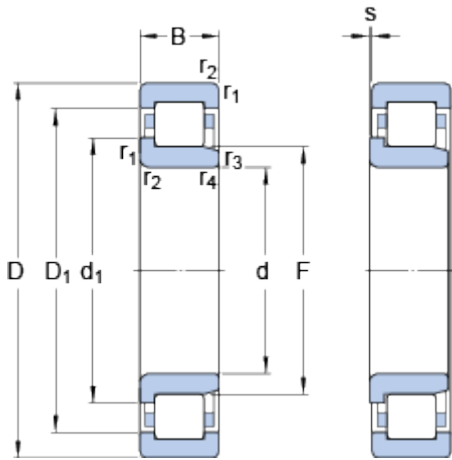


# NJ 213 ECP

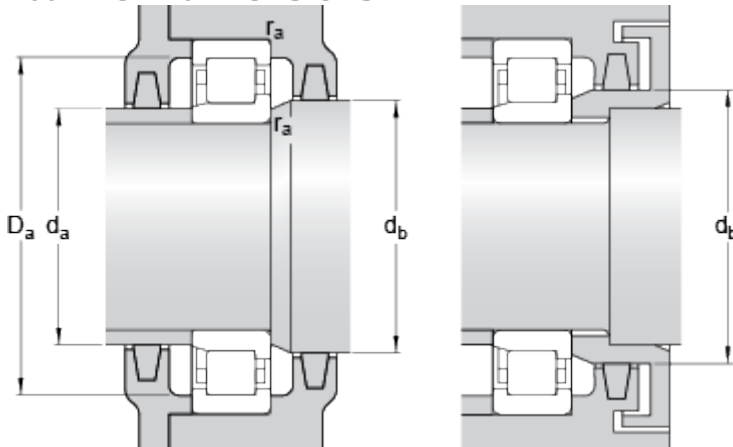
SKF Explorer

## Dimensions



d	65	mm
D	120	mm
B	23	mm
d <sub>1</sub>	≈ 84.4	mm
D <sub>1</sub>	≈ 103.2	mm
F	78.5	mm
r <sub>1,2</sub>	min. 1.5	mm
r <sub>3,4</sub>	min. 1.5	mm
s	max. 1.4	mm

## Abutment dimensions



d <sub>a</sub>	min. 74	mm
d <sub>a</sub>	max. 76	mm
d <sub>b</sub>	min. 87	mm
D <sub>a</sub>	max. 110.6	mm
r <sub>a</sub>	max. 1.5	mm

## Calculation data

Basic dynamic load rating	C	122	kN
Basic static load rating	C	118	kN
Fatigue load limit	P <sub>u</sub>	15.6	kN
Reference speed		6300	r/min
Limiting speed		6700	r/min
Calculation factor	k <sub>r</sub>	0.15	
Limiting value	e	0.2	
Axial load factor	Y	0.6	

## Mass

Mass bearing	1.06	kg
--------------	------	----

## Associated products

Angle ring	HJ 213 EC
------------	-----------

