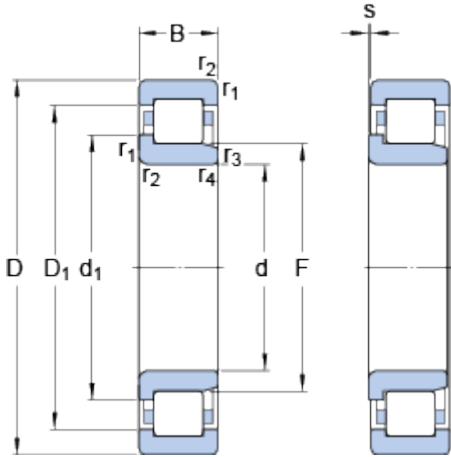


# NJ 210 ECJ

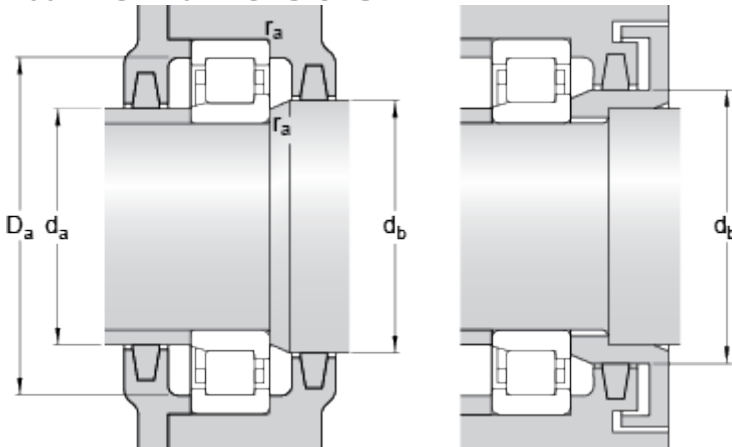
SKF Explorer

## Dimensions



d	50	mm
D	90	mm
B	20	mm
d <sub>1</sub>	≈ 64	mm
D <sub>1</sub>	≈ 77.4	mm
F	59.5	mm
r <sub>1,2</sub>	min. 1.1	mm
r <sub>3,4</sub>	min. 1.1	mm
s	max. 1.5	mm

## Abutment dimensions



d <sub>a</sub>	min. 57	mm
d <sub>a</sub>	max. 57.5	mm
d <sub>b</sub>	min. 66	mm
D <sub>a</sub>	max. 82.4	mm
r <sub>a</sub>	max. 1	mm

## Calculation data

Basic dynamic load rating	C	73.5	kN
Basic static load rating	C	69.5	kN
Fatigue load limit	P <sub>u</sub>	8.8	kN
Reference speed		8500	r/min
Limiting speed		9000	r/min
Calculation factor	k <sub>r</sub>	0.15	
Limiting value	e	0.2	
Axial load factor	Y	0.6	

## Mass

Mass bearing	0.52	kg
--------------	------	----