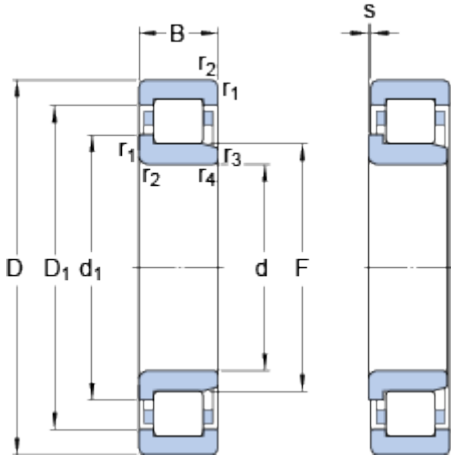


# NJ 208 ECJ

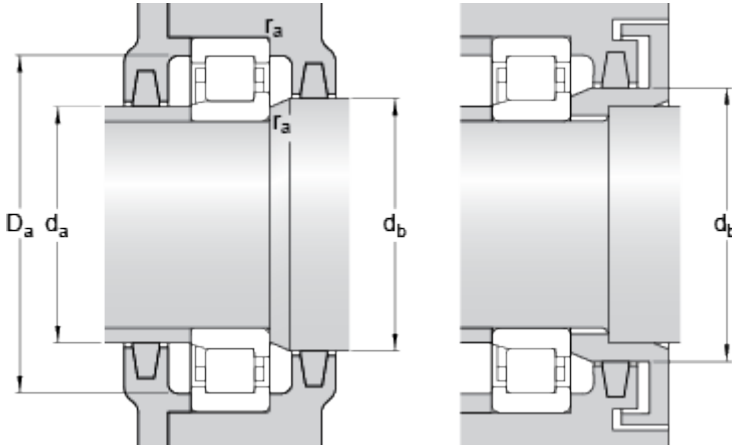
SKF Explorer

## Dimensions



d	40	mm
D	80	mm
B	18	mm
d <sub>1</sub>	≈ 54	mm
D <sub>1</sub>	≈ 67.4	mm
F	49.5	mm
r <sub>1,2</sub>	min. 1.1	mm
r <sub>3,4</sub>	min. 1.1	mm
s	max. 1.4	mm

## Abutment dimensions



d <sub>a</sub>	min. 47	mm
d <sub>a</sub>	max. 48	mm
d <sub>b</sub>	min. 56	mm
D <sub>a</sub>	max. 72.8	mm
r <sub>a</sub>	max. 1	mm

## Calculation data

Basic dynamic load rating	C	62	kN
Basic static load rating	C	53	kN
Fatigue load limit	P <sub>u</sub>	6.7	kN
Reference speed		9500	r/min
Limiting speed		11000	r/min
Calculation factor	k <sub>r</sub>	0.15	
Limiting value	e	0.2	
Axial load factor	Y	0.6	

## Mass

Mass bearing	0.39	kg
--------------	------	----

## Associated products

Angle ring	HJ 208 EC
------------	-----------

