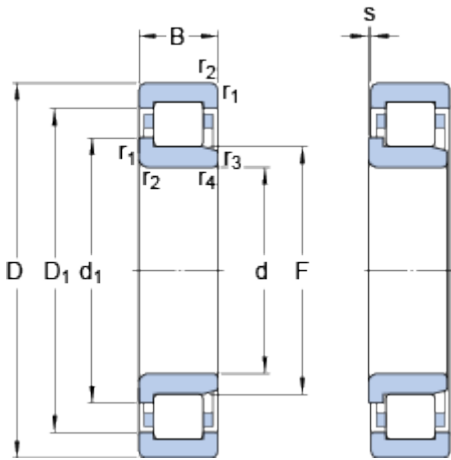


NJ 206 ECP

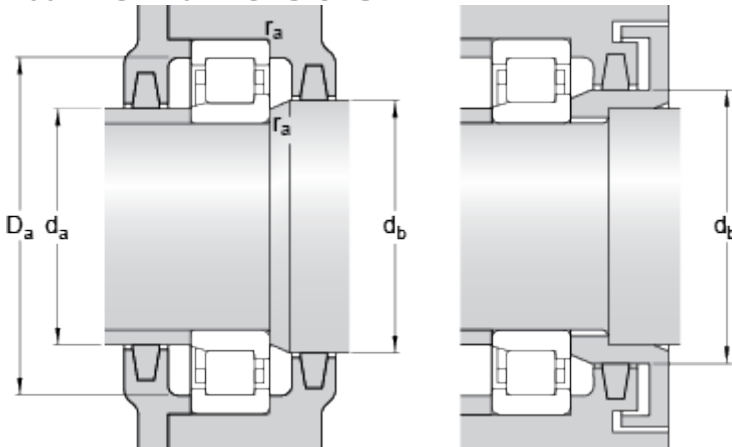
SKF Explorer

Dimensions



d	30	mm
D	62	mm
B	16	mm
d ₁	≈ 41.2	mm
D ₁	≈ 51.95	mm
F	37.5	mm
r _{1,2}	min. 1	mm
r _{3,4}	min. 0.6	mm
s	max. 1.3	mm

Abutment dimensions



d _a	min. 35.3	mm
d _a	max. 36.1	mm
d _b	min. 43	mm
D _a	max. 55.9	mm
r _a	max. 1	mm

Calculation data

Basic dynamic load rating	C	44	kN
Basic static load rating	C	36.5	kN
Fatigue load limit	P _u	4.55	kN
Reference speed		13000	r/min
Limiting speed		14000	r/min
Calculation factor	k _r	0.15	
Limiting value	e	0.2	
Axial load factor	Y	0.6	

Mass

Mass bearing	0.2	kg
--------------	-----	----

Associated products

Angle ring	HJ 206 EC
------------	-----------

