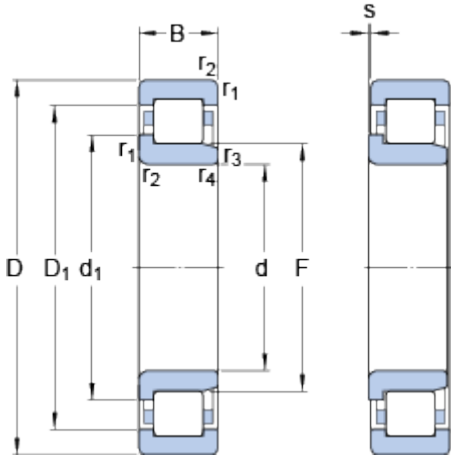


# NJ 205 ECP

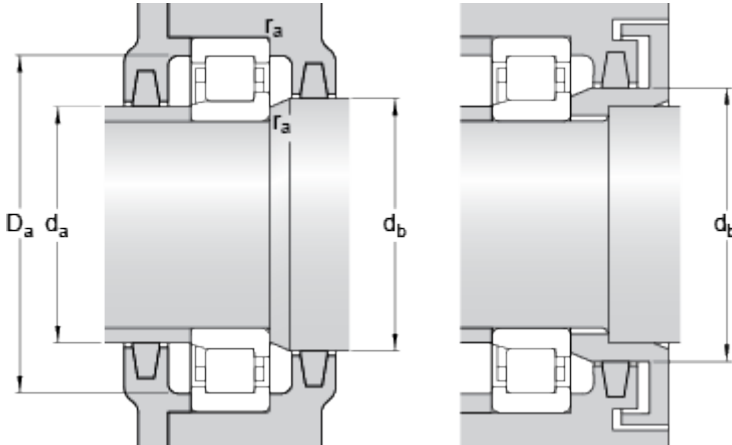
SKF Explorer

## Dimensions



d		25	mm
D		52	mm
B		15	mm
d <sub>1</sub>	≈	34.7	mm
D <sub>1</sub>	≈	43.3	mm
F		31.5	mm
r <sub>1,2</sub>	min.	1	mm
r <sub>3,4</sub>	min.	0.6	mm
s	max.	1.3	mm

## Abutment dimensions



d <sub>a</sub>	min.	29.9	mm
d <sub>a</sub>	max.	30.4	mm
d <sub>b</sub>	min.	36	mm
D <sub>a</sub>	max.	46.4	mm
r <sub>a</sub>	max.	1	mm

## Calculation data

Basic dynamic load rating	C	32.5	kN
Basic static load rating	C	27	kN
Fatigue load limit	P <sub>u</sub>	3.35	kN
Reference speed		15000	r/min
Limiting speed		16000	r/min
Calculation factor	k <sub>r</sub>	0.15	
Limiting value	e	0.2	
Axial load factor	Y	0.6	

## Mass

Mass bearing		0.14	kg
--------------	--	------	----