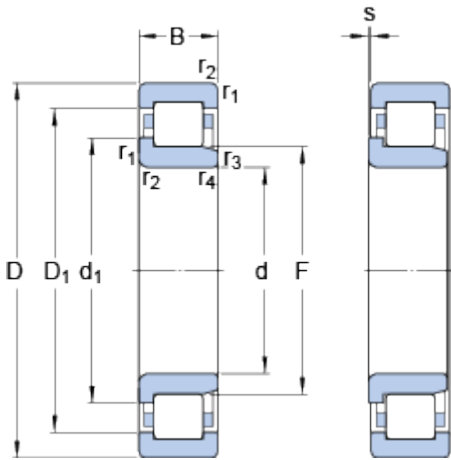


# NJ 203 ECP

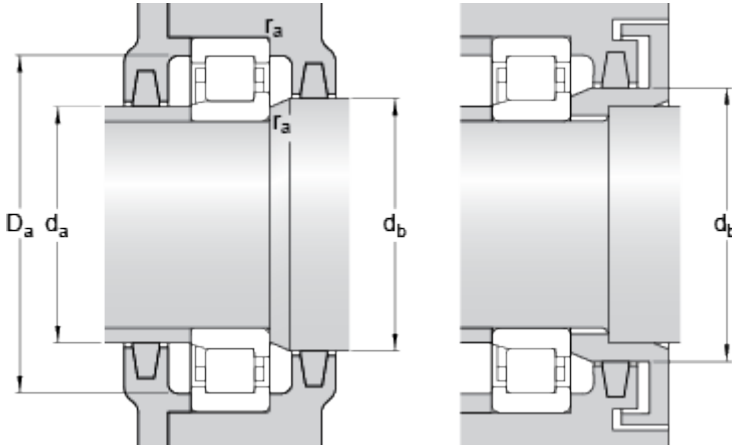
SKF Explorer

## Dimensions



d	17	mm
D	40	mm
B	12	mm
d <sub>1</sub>	≈ 25	mm
D <sub>1</sub>	≈ 32.35	mm
F	22.1	mm
r <sub>1,2</sub>	min. 0.6	mm
r <sub>3,4</sub>	min. 0.6	mm
s	max. 1	mm

## Abutment dimensions



d <sub>a</sub>	min. 20.7	mm
d <sub>a</sub>	max. 21.1	mm
d <sub>b</sub>	min. 27	mm
D <sub>a</sub>	max. 36	mm
r <sub>a</sub>	max. 0.6	mm

## Calculation data

Basic dynamic load rating	C	20	kN
Basic static load rating	C	14.3	kN
Fatigue load limit	P <sub>u</sub>	1.73	kN
Reference speed		20000	r/min
Limiting speed		22000	r/min
Calculation factor	k <sub>r</sub>	0.15	
Limiting value	e	0.2	
Axial load factor	Y	0.6	

## Mass

Mass bearing	0.069	kg
--------------	-------	----