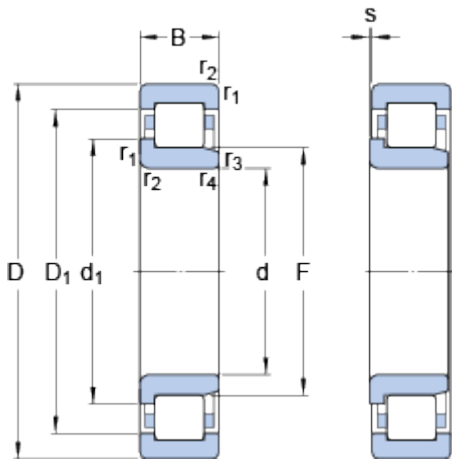


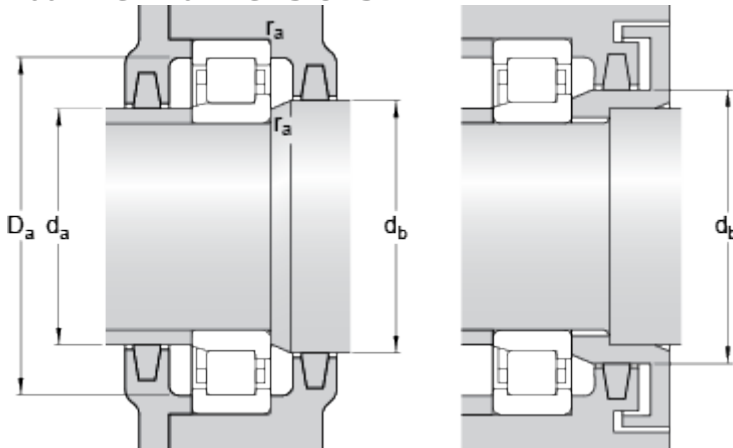
# NJ 202 ECP

## Dimensions



d	15	mm
D	35	mm
B	11	mm
d <sub>1</sub>	≈ 21.9	mm
D <sub>1</sub>	≈ 27.7	mm
F	19.3	mm
r <sub>1,2</sub>	min. 0.6	mm
r <sub>3,4</sub>	min. 0.3	mm
s	max. 1	mm

## Abutment dimensions



d <sub>a</sub>	min. 18.2	mm
d <sub>a</sub>	max. 18.4	mm
d <sub>b</sub>	min. 23	mm
D <sub>a</sub>	max. 31.3	mm
r <sub>a</sub>	max. 0.6	mm

## Calculation data

Basic dynamic load rating	C	12.5	kN
Basic static load rating	C	10.2	kN
Fatigue load limit	P <sub>u</sub>	1.22	kN
Reference speed		22000	r/min
Limiting speed		26000	r/min
Calculation factor	k <sub>r</sub>	0.15	
Limiting value	e	0.2	
Axial load factor	Y	0.6	

## Mass

Mass bearing	0.048	kg
--------------	-------	----