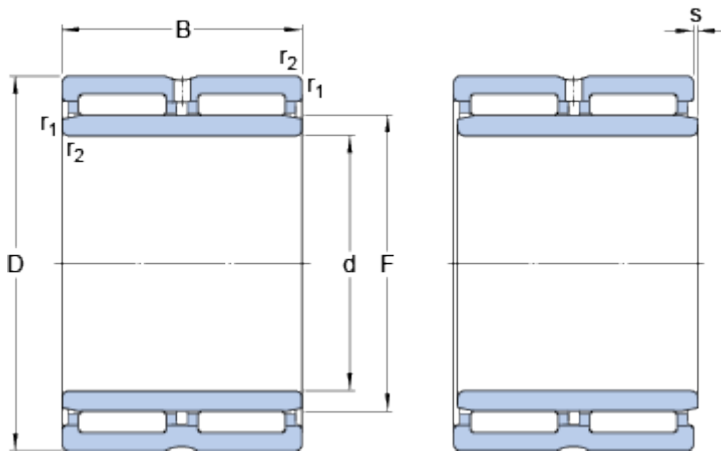


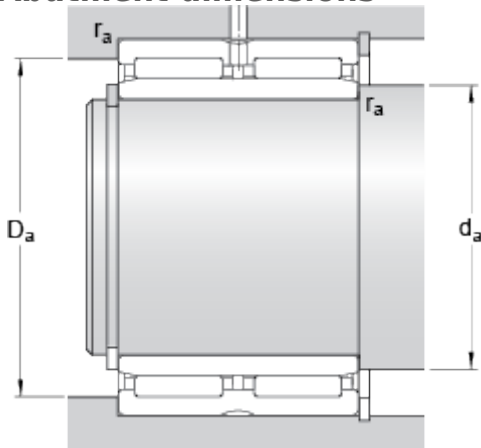
NA 6914

Dimensions



d		70	mm
D		100	mm
B		54	mm
F		80	mm
$r_{1,2}$	min.	1	mm
s	max.	1	mm

Abutment dimensions



d_a	min.	75	mm
D_a	max.	95	mm
r_a	max.	1	mm

Calculation data

Basic dynamic load rating	C	128	kN
Basic static load rating	C	285	kN
Fatigue load limit	P_u	36	kN
Reference speed		5000	r/min
Limiting speed		5600	r/min

Mass

Mass bearing		1.34	kg
--------------	--	------	----