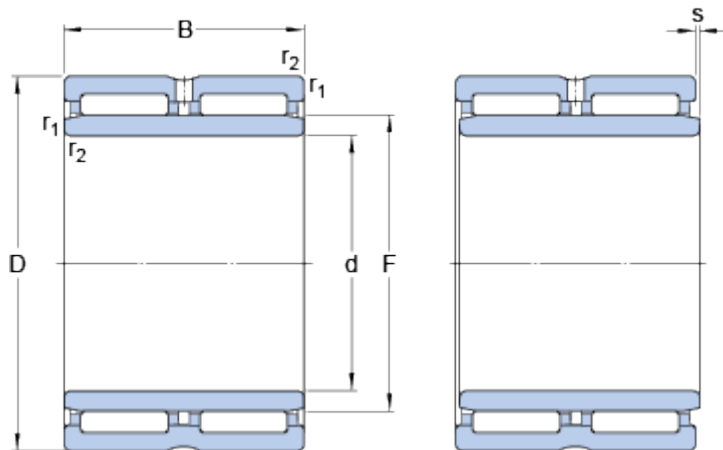


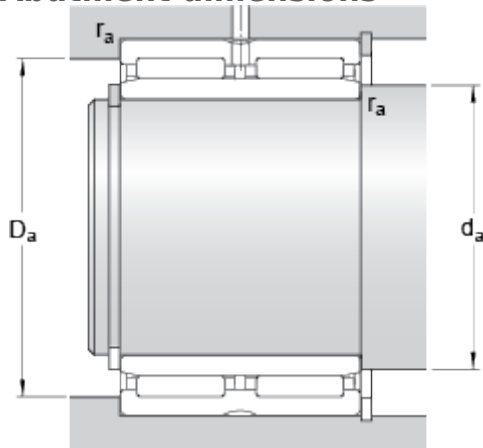
# NA 6910

## Dimensions



d		50	mm
D		72	mm
B		40	mm
F		58	mm
r <sub>1,2</sub>	min.	0.6	mm
s	max.	0.5	mm

## Abutment dimensions



d <sub>a</sub>	min.	54	mm
D <sub>a</sub>	max.	68	mm
r <sub>a</sub>	max.	0.6	mm

## Calculation data

Basic dynamic load rating	C	73.7	kN
Basic static load rating	C	150	kN
Fatigue load limit	P <sub>u</sub>	18.6	kN
Reference speed		7000	r/min
Limiting speed		8000	r/min

## Mass

Mass bearing		0.52	kg
--------------	--	------	----