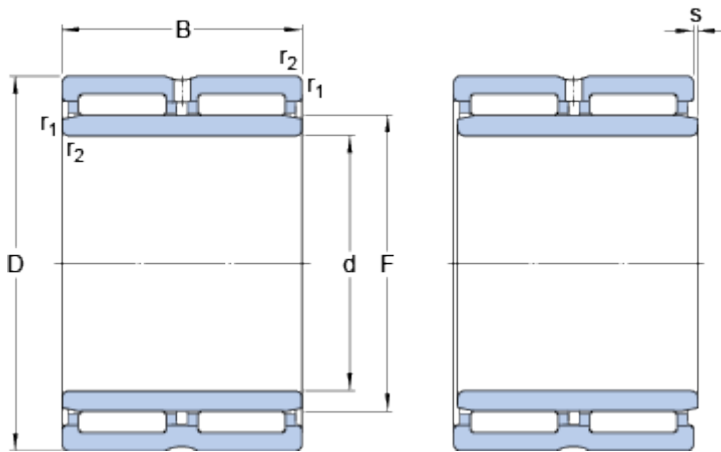


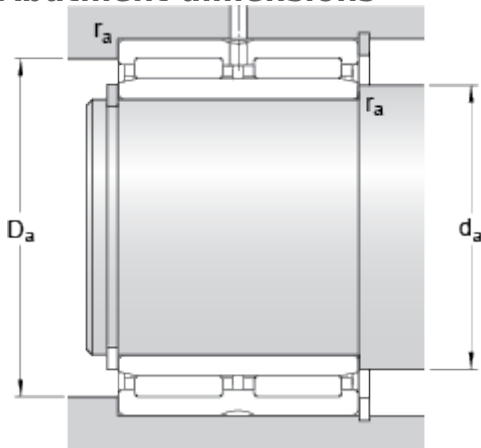
NA 6909

Dimensions



d		45	mm
D		68	mm
B		40	mm
F		52	mm
r _{1,2}	min.	0.6	mm
s	max.	0.5	mm

Abutment dimensions



d _a	min.	49	mm
D _a	max.	64	mm
r _a	max.	0.6	mm

Calculation data

Basic dynamic load rating	C	70.4	kN
Basic static load rating	C	137	kN
Fatigue load limit	P _u	17	kN
Reference speed		7500	r/min
Limiting speed		8500	r/min

Mass

Mass bearing		0.49	kg
--------------	--	------	----