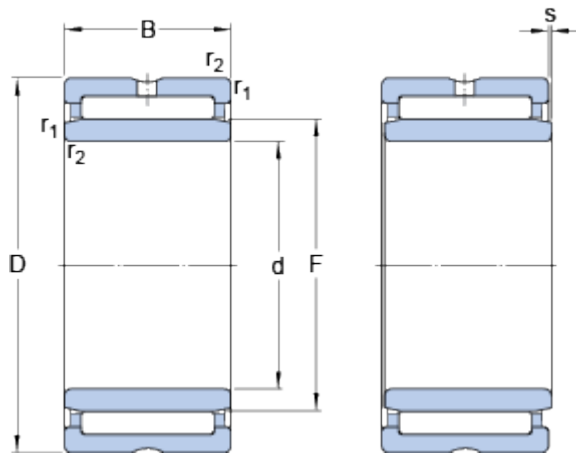


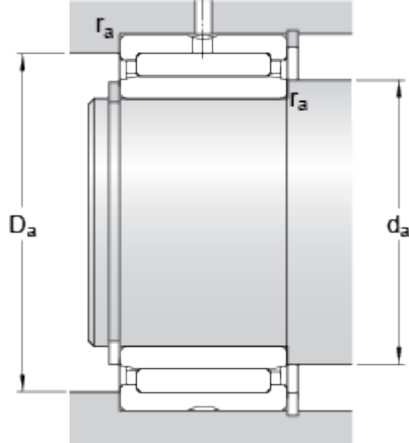
NA 6906

Dimensions



d		30	mm
D		47	mm
B		30	mm
F		35	mm
$r_{1,2}$	min.	0.3	mm
s	max.	1	mm

Abutment dimensions



d_a	min.	32	mm
D_a	max.	45	mm
r_a	max.	0.3	mm

Calculation data

Basic dynamic load rating	C	42.9	kN
Basic static load rating	C	75	kN
Fatigue load limit	P_u	9.3	kN
Reference speed		11000	r/min
Limiting speed		13000	r/min

Mass

Mass bearing		0.19	kg
--------------	--	------	----