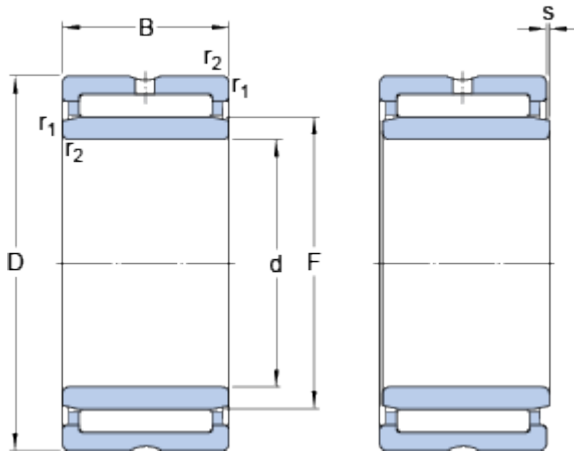


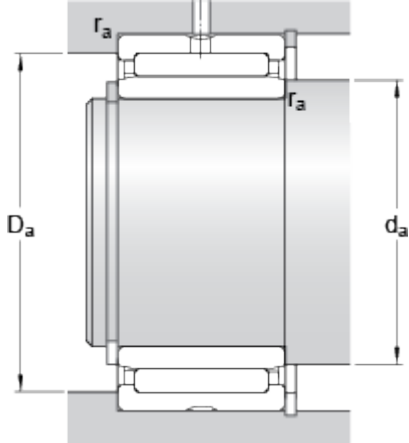
# NA 6904

## Dimensions



d		20	mm
D		37	mm
B		30	mm
F		25	mm
r <sub>1,2</sub>	min.	0.3	mm
s	max.	1	mm

## Abutment dimensions



d <sub>a</sub>	min.	22	mm
D <sub>a</sub>	max.	35	mm
r <sub>a</sub>	max.	0.3	mm

## Calculation data

Basic dynamic load rating	C	35.2	kN
Basic static load rating	C	53	kN
Fatigue load limit	P <sub>u</sub>	6.55	kN
Reference speed		15000	r/min
Limiting speed		17000	r/min

## Mass

Mass bearing		0.14	kg
--------------	--	------	----