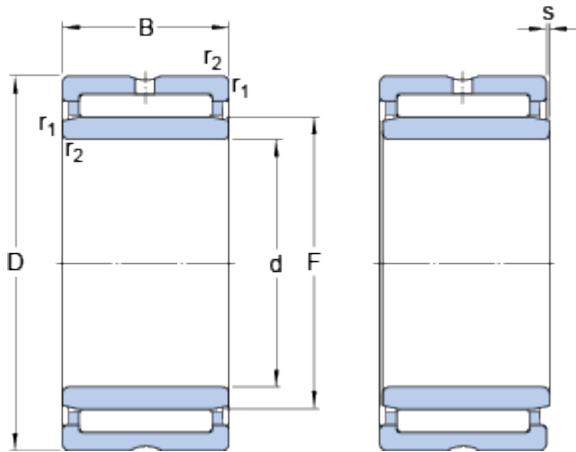


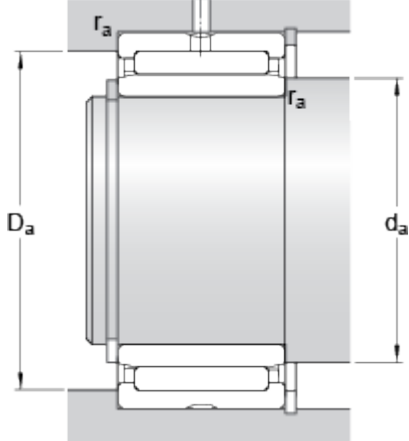
# NA 6903

## Dimensions



d		17	mm
D		30	mm
B		23	mm
F		22	mm
r <sub>1,2</sub>	min.	0.3	mm
s	max.	1	mm

## Abutment dimensions



d <sub>a</sub>	min.	19	mm
D <sub>a</sub>	max.	28	mm
r <sub>a</sub>	max.	0.3	mm

## Calculation data

Basic dynamic load rating	C	18.7	kN
Basic static load rating	C	30.5	kN
Fatigue load limit	P <sub>u</sub>	3.75	kN
Reference speed		18000	r/min
Limiting speed		20000	r/min

## Mass

Mass bearing		0.072	kg
--------------	--	-------	----