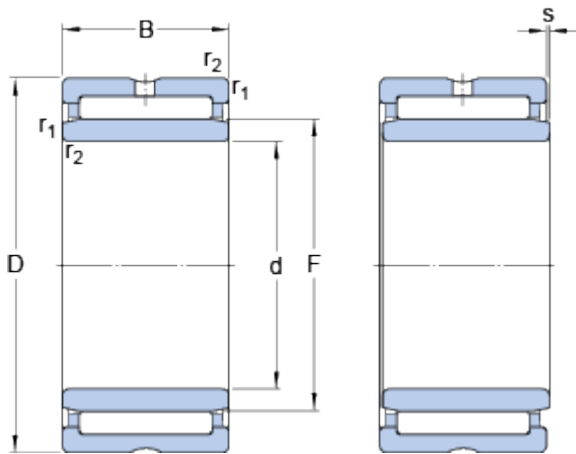


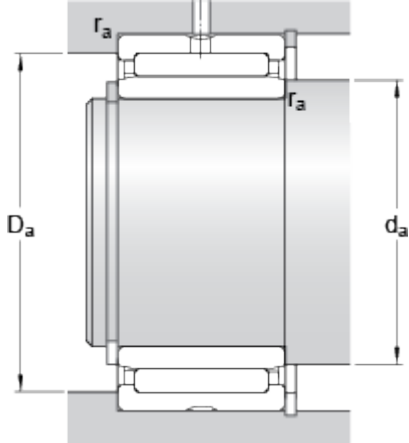
# NA 6902

## Dimensions



d		15	mm
D		28	mm
B		23	mm
F		20	mm
r <sub>1,2</sub>	min.	0.3	mm
s	max.	1	mm

## Abutment dimensions



d <sub>a</sub>	min.	17	mm
D <sub>a</sub>	max.	26	mm
r <sub>a</sub>	max.	0.3	mm

## Calculation data

Basic dynamic load rating	C	17.2	kN
Basic static load rating	C	27	kN
Fatigue load limit	P <sub>u</sub>	3.35	kN
Reference speed		19000	r/min
Limiting speed		22000	r/min

## Mass

Mass bearing		0.064	kg
--------------	--	-------	----