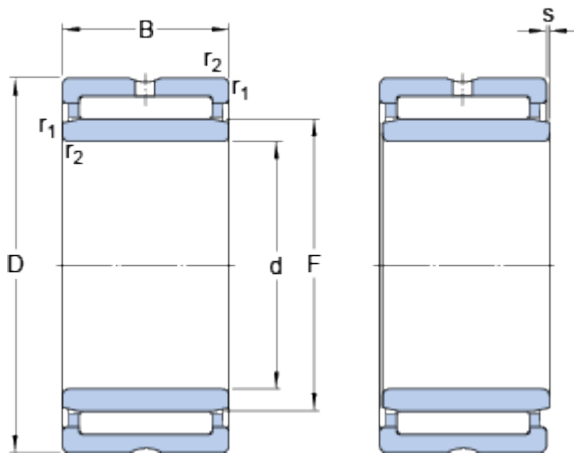


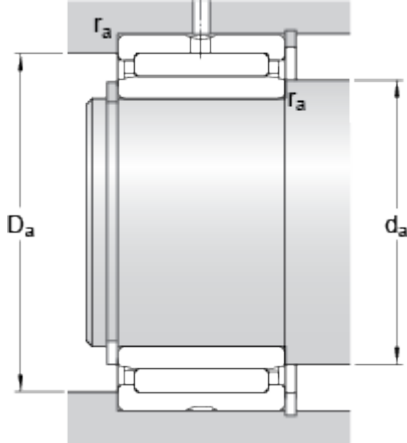
# NA 4920

## Dimensions



d		100	mm
D		140	mm
B		40	mm
F		115	mm
r <sub>1,2</sub>	min.	1.1	mm
s	max.	2	mm

## Abutment dimensions



d <sub>a</sub>	min.	106.5	mm
D <sub>a</sub>	max.	133.5	mm
r <sub>a</sub>	max.	1	mm

## Calculation data

Basic dynamic load rating	C	125	kN
Basic static load rating	C	280	kN
Fatigue load limit	P <sub>u</sub>	34	kN
Reference speed		3400	r/min
Limiting speed		4000	r/min

## Mass

Mass bearing		1.9	kg
--------------	--	-----	----