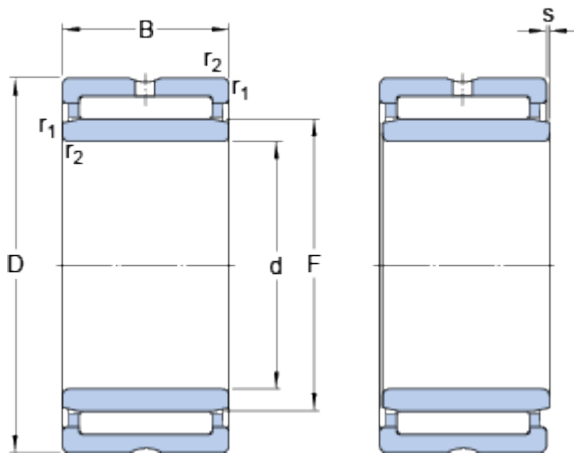


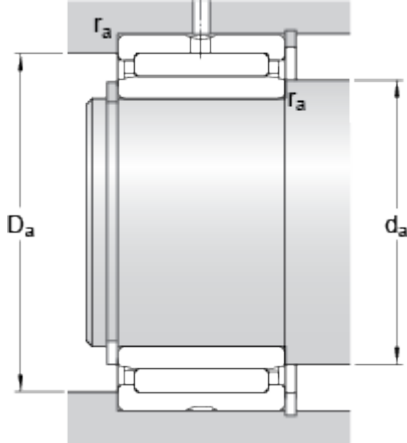
NA 4917

Dimensions



d		85	mm
D		120	mm
B		35	mm
F		100	mm
r _{1,2}	min.	1.1	mm
s	max.	1	mm

Abutment dimensions



d _a	min.	91.5	mm
D _a	max.	113.5	mm
r _a	max.	1	mm

Calculation data

Basic dynamic load rating	C	108	kN
Basic static load rating	C	250	kN
Fatigue load limit	P _u	31	kN
Reference speed		4000	r/min
Limiting speed		4500	r/min

Mass

Mass bearing		1.25	kg
--------------	--	------	----