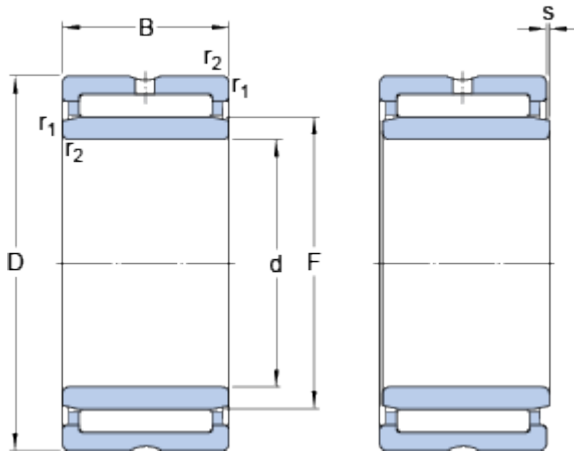


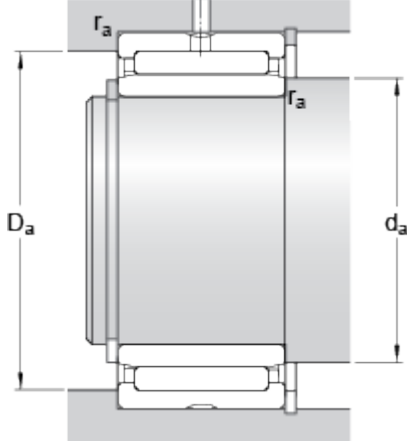
# NA 4914

## Dimensions



$d$		70	mm
$D$		100	mm
$B$		30	mm
$F$		80	mm
$r_{1,2}$	min.	1	mm
$s$	max.	1.5	mm

## Abutment dimensions



$d_a$	min.	75	mm
$D_a$	max.	95	mm
$r_a$	max.	1	mm

## Calculation data

Basic dynamic load rating	C	84.2	kN
Basic static load rating	C	163	kN
Fatigue load limit	$P_u$	20.8	kN
Reference speed		5000	r/min
Limiting speed		5600	r/min

## Mass

Mass bearing		0.73	kg
--------------	--	------	----