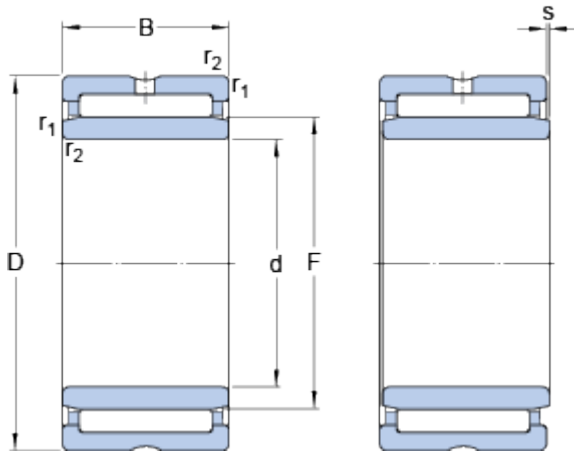


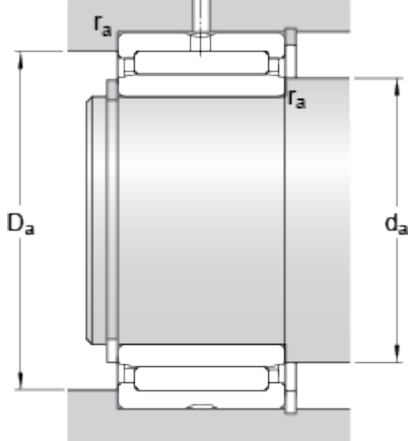
NA 4912

Dimensions



d		60	mm
D		85	mm
B		25	mm
F		68	mm
$r_{1,2}$	min.	1	mm
s	max.	1.5	mm

Abutment dimensions



d_a	min.	65	mm
D_a	max.	80	mm
r_a	max.	1	mm

Calculation data

Basic dynamic load rating	C	60.5	kN
Basic static load rating	C	114	kN
Fatigue load limit	P_u	14.3	kN
Reference speed		6000	r/min
Limiting speed		6700	r/min

Mass

Mass bearing		0.43	kg
--------------	--	------	----