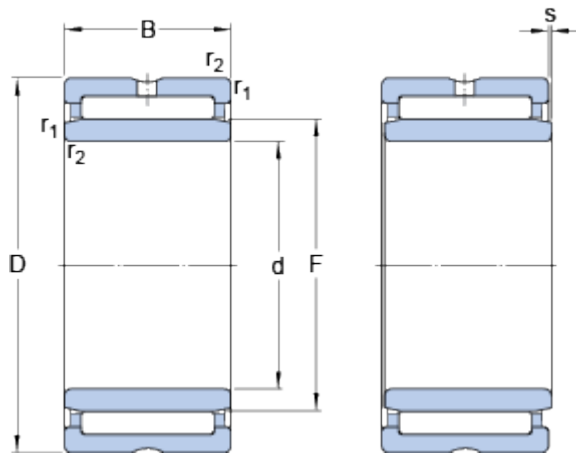


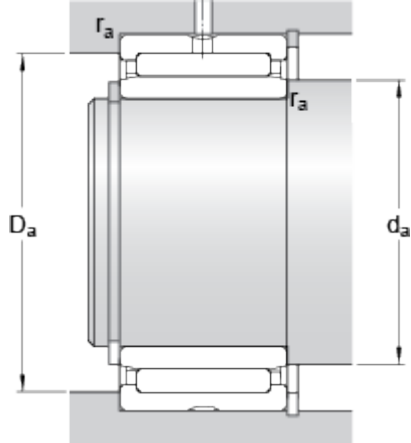
# NA 4910

## Dimensions



$d$		50	mm
$D$		72	mm
$B$		22	mm
$F$		58	mm
$r_{1,2}$	min.	0.6	mm
$s$	max.	1	mm

## Abutment dimensions



$d_a$	min.	54	mm
$D_a$	max.	68	mm
$r_a$	max.	0.6	mm

## Calculation data

Basic dynamic load rating	C	47.3	kN
Basic static load rating	C	85	kN
Fatigue load limit	$P_u$	10.6	kN
Reference speed		7000	r/min
Limiting speed		8000	r/min

## Mass

Mass bearing		0.27	kg
--------------	--	------	----