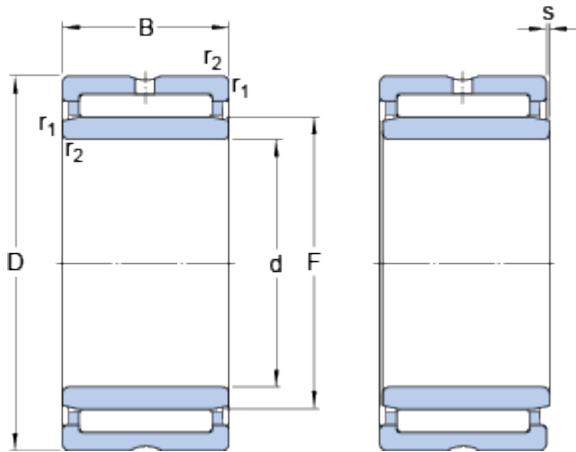


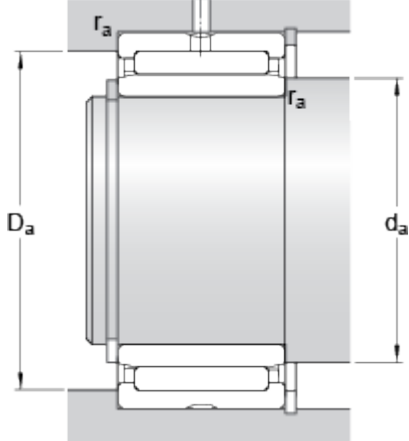
NA 4909

Dimensions



d		45	mm
D		68	mm
B		22	mm
F		52	mm
r _{1,2}	min.	0.6	mm
s	max.	1	mm

Abutment dimensions



d _a	min.	49	mm
D _a	max.	64	mm
r _a	max.	0.6	mm

Calculation data

Basic dynamic load rating	C	45.7	kN
Basic static load rating	C	78	kN
Fatigue load limit	P _u	9.65	kN
Reference speed		7500	r/min
Limiting speed		8500	r/min

Mass

Mass bearing		0.27	kg
--------------	--	------	----