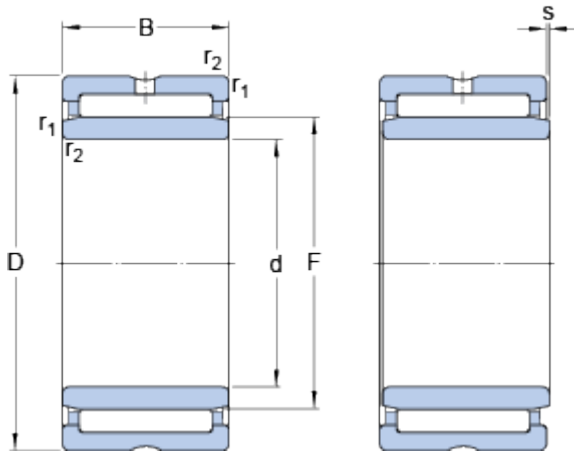


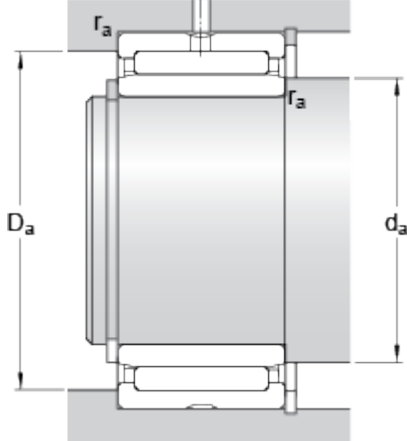
NA 4907

Dimensions



d		35	mm
D		55	mm
B		20	mm
F		42	mm
r _{1,2}	min.	0.6	mm
s	max.	0.8	mm

Abutment dimensions



d _a	min.	39	mm
D _a	max.	51	mm
r _a	max.	0.6	mm

Calculation data

Basic dynamic load rating	C	31.9	kN
Basic static load rating	C	54	kN
Fatigue load limit	P _u	6.7	kN
Reference speed		9500	r/min
Limiting speed		11000	r/min

Mass

Mass bearing		0.17	kg
--------------	--	------	----