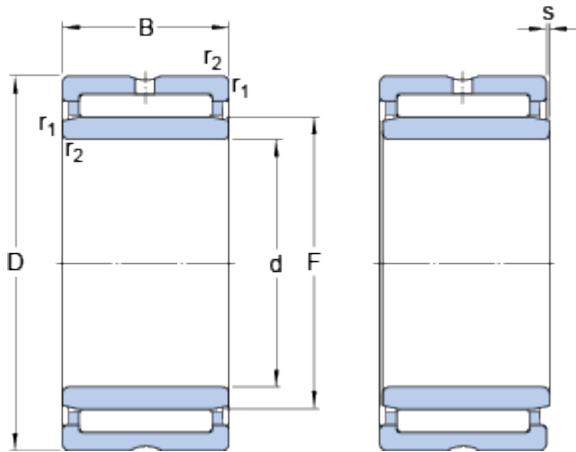


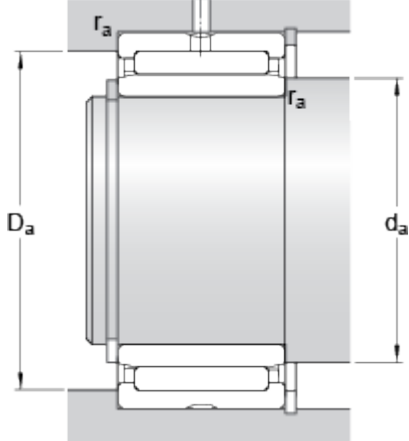
NA 4906

Dimensions



d		30	mm
D		47	mm
B		17	mm
F		35	mm
$r_{1,2}$	min.	0.3	mm
s	max.	0.8	mm

Abutment dimensions



d_a	min.	32	mm
D_a	max.	45	mm
r_a	max.	0.3	mm

Calculation data

Basic dynamic load rating	C	25.5	kN
Basic static load rating	C	39	kN
Fatigue load limit	P_u	4.65	kN
Reference speed		11000	r/min
Limiting speed		13000	r/min

Mass

Mass bearing		0.1	kg
--------------	--	-----	----