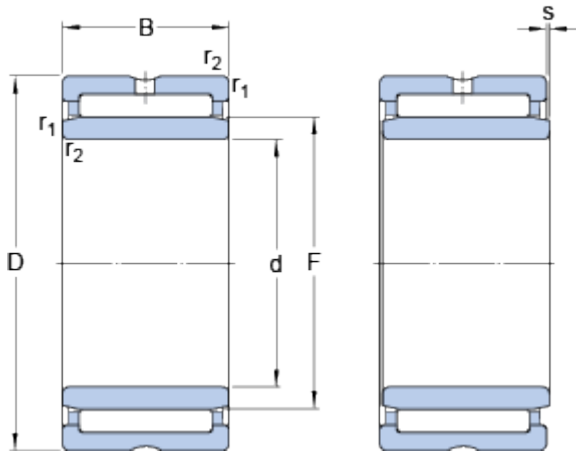


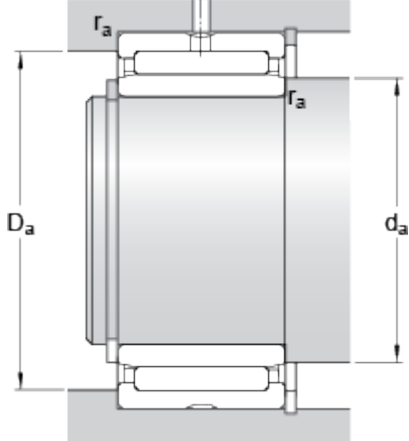
NA 4905

Dimensions



d		25	mm
D		42	mm
B		17	mm
F		30	mm
r _{1,2}	min.	0.3	mm
s	max.	0.8	mm

Abutment dimensions



d _a	min.	27	mm
D _a	max.	40	mm
r _a	max.	0.3	mm

Calculation data

Basic dynamic load rating	C	24.2	kN
Basic static load rating	C	34.5	kN
Fatigue load limit	P _u	4.15	kN
Reference speed		13000	r/min
Limiting speed		15000	r/min

Mass

Mass bearing		0.088	kg
--------------	--	-------	----