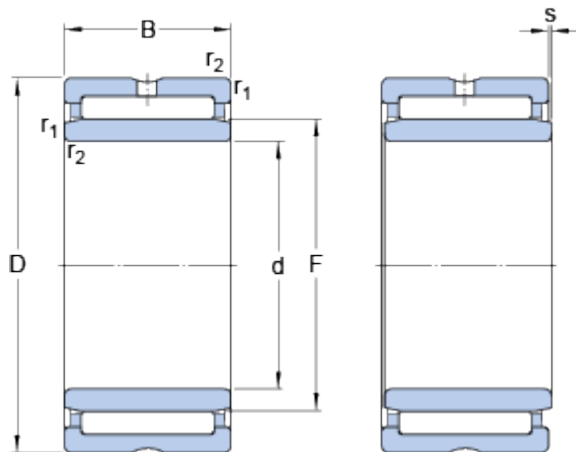


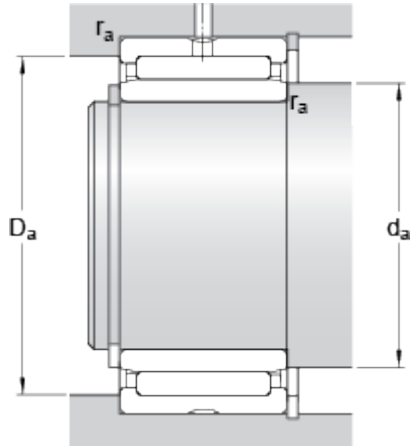
NA 4904

Dimensions



d		20	mm
D		37	mm
B		17	mm
F		25	mm
r _{1,2}	min.	0.3	mm
s	max.	0.8	mm

Abutment dimensions



d _a	min.	22	mm
D _a	max.	35	mm
r _a	max.	0.3	mm

Calculation data

Basic dynamic load rating	C	21.6	kN
Basic static load rating	C	28	kN
Fatigue load limit	P _u	3.35	kN
Reference speed		15000	r/min
Limiting speed		17000	r/min

Mass

Mass bearing		0.075	kg
--------------	--	-------	----