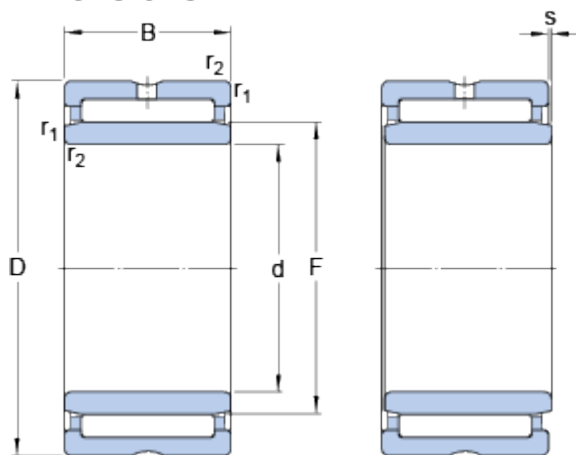


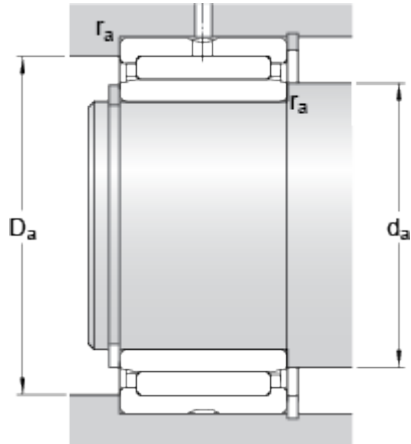
NA 4903

Dimensions



d		17	mm
D		30	mm
B		13	mm
F		22	mm
$r_{1,2}$	min.	0.3	mm
s	max.	0.5	mm

Abutment dimensions



d_a	min.	19	mm
D_a	max.	28	mm
r_a	max.	0.3	mm

Calculation data

Basic dynamic load rating	C	11.4	kN
Basic static load rating	C	16.3	kN
Fatigue load limit	P_u	1.96	kN
Reference speed		18000	r/min
Limiting speed		20000	r/min

Mass

Mass bearing		0.038	kg
--------------	--	-------	----