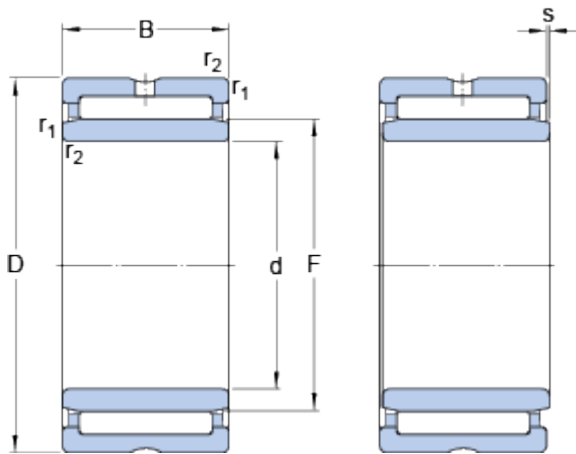


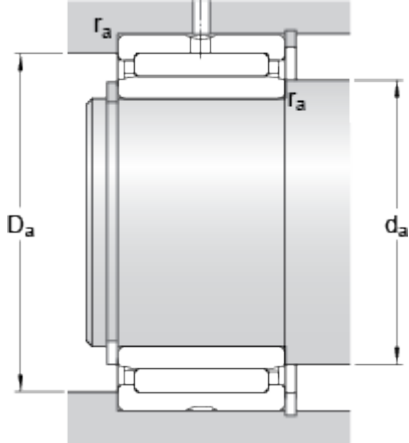
# NA 4902

## Dimensions



$d$		15	mm
$D$		28	mm
$B$		13	mm
$F$		20	mm
$r_{1,2}$	min.	0.3	mm
$s$	max.	0.5	mm

## Abutment dimensions



$d_a$	min.	17	mm
$D_a$	max.	26	mm
$r_a$	max.	0.3	mm

## Calculation data

Basic dynamic load rating	C	11.2	kN
Basic static load rating	C	15.3	kN
Fatigue load limit	$P_u$	1.83	kN
Reference speed		19000	r/min
Limiting speed		22000	r/min

## Mass

Mass bearing		0.034	kg
--------------	--	-------	----